

American Standard

Style That Works Better

Princeton ICH Pressure Test Drain Kit Instructions

PART NUMBER 791363-0070A

Thank you for selecting our product...the benchmark of fine quality for over 100 years. To ensure that your installation proceeds smoothly--please read these instructions carefully before you begin.

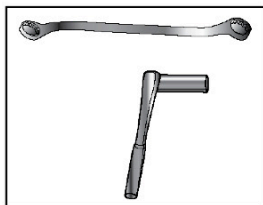
BEFORE YOU BEGIN...

Local building codes vary by location. Observe all local plumbing and building codes.

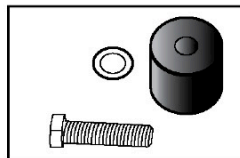
TOOLS & MATERIALS REQUIRED...

- Pressure Test Kit PN 791363-007A • 1/2" Deep Socket • 3/4" Wrench

READ THE INSTRUCTIONS CAREFULLY: Familiarize yourself with all the parts as shown. See Steps 1a and 1b to determine the version of the Overflow Drain Assembly before proceeding to Step 2. Conduct drain test after Princeton Baths are completely installed.



Pressure Test Kit
PN 791363-0070A



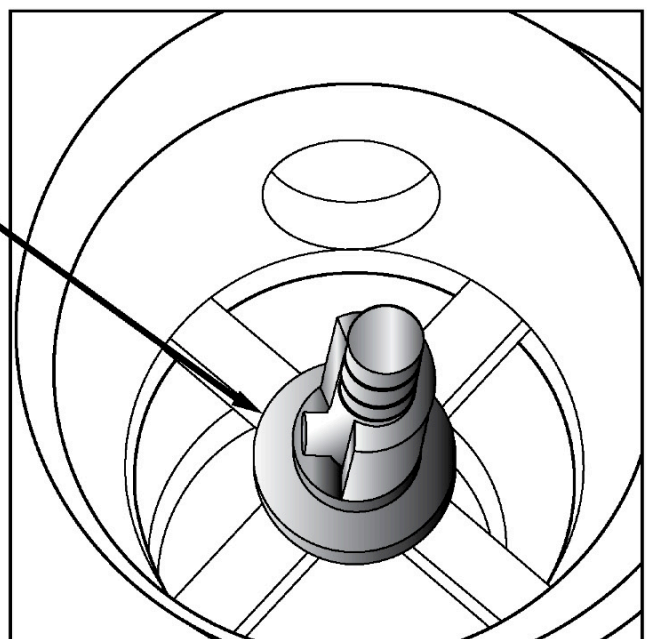
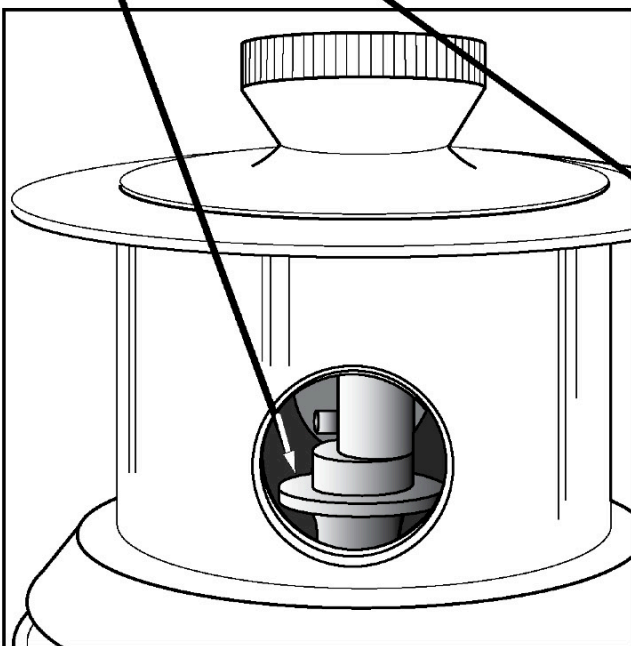
1a INSTALLATION PROCEDURES:

Determine the version of the Integral Overflow Drain Assembly -- **ORIGINAL** or **NEW**.

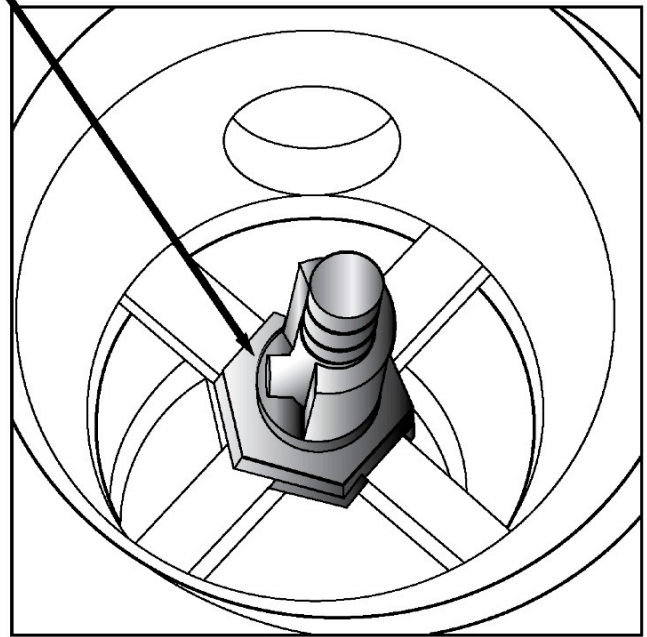
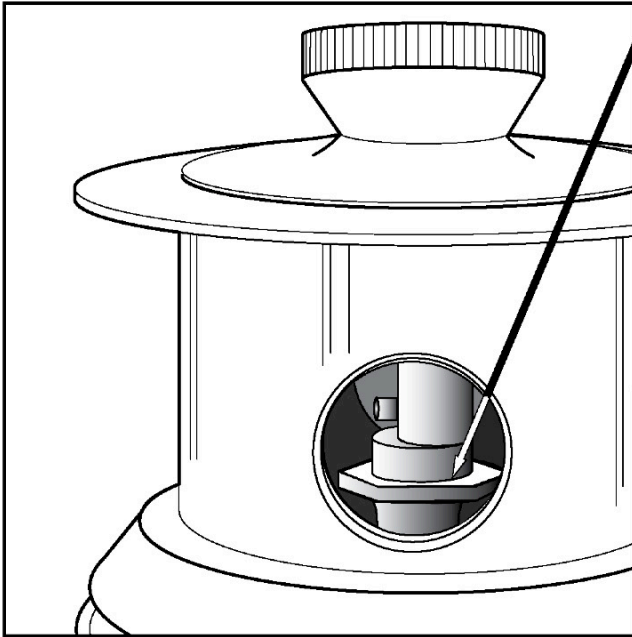
The **ORIGINAL** version of the Integral Overflow Drain Assembly (791130-300) has a round shoulder on the shaft. If you have the original version STOP and call number below, otherwise proceed to Step 1b.

If tubs are not installed, call 1-800-442-1902 for NEW Integral Overflow Drain Assembly PN791474-YYY0A.

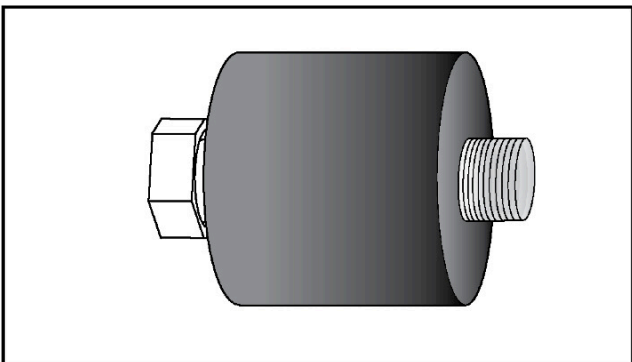
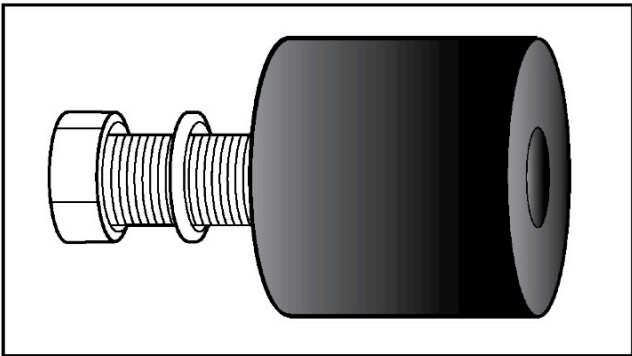
If tubs are installed, call 1-800-442-1902 for ORIGINAL Pressure Test Kit 791493-100.



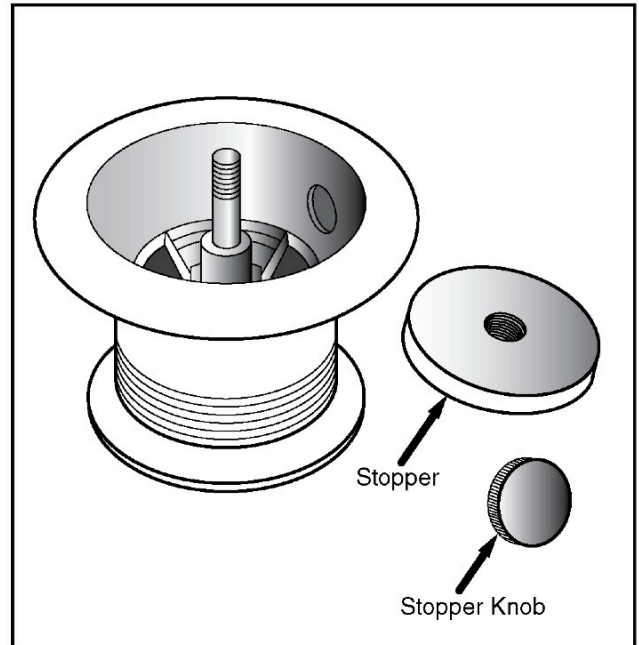
1b The **NEW** version of the Integral Overflow Drain Assembly PN791474-YYY0A has a hex shoulder on the shaft. If you have the **NEW** version proceed to step 2.



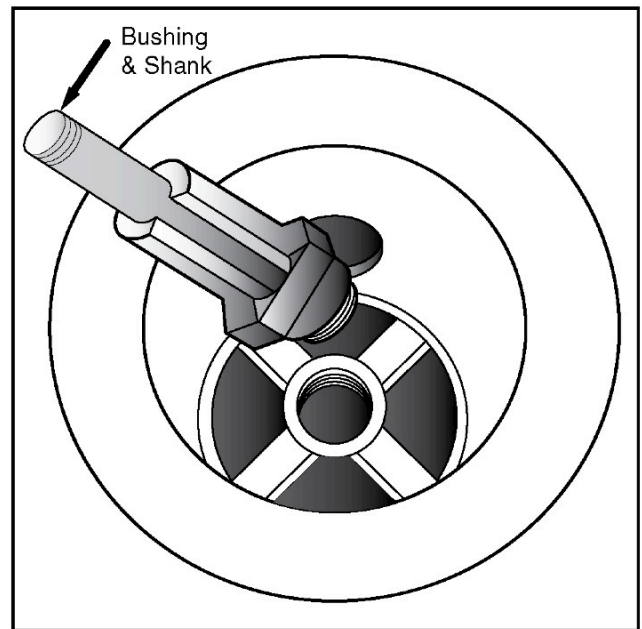
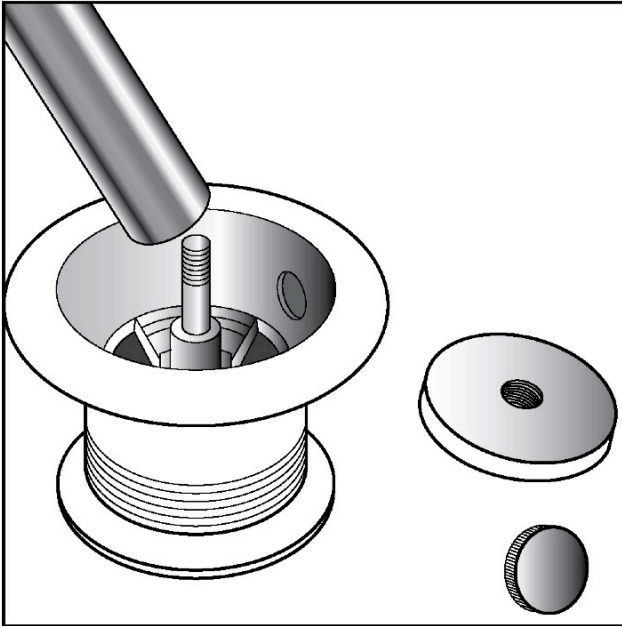
2 Assemble Rubber Test Seal Sleeve, Seal Washer 1/2" ID and Seal Bolt 1/2-20.



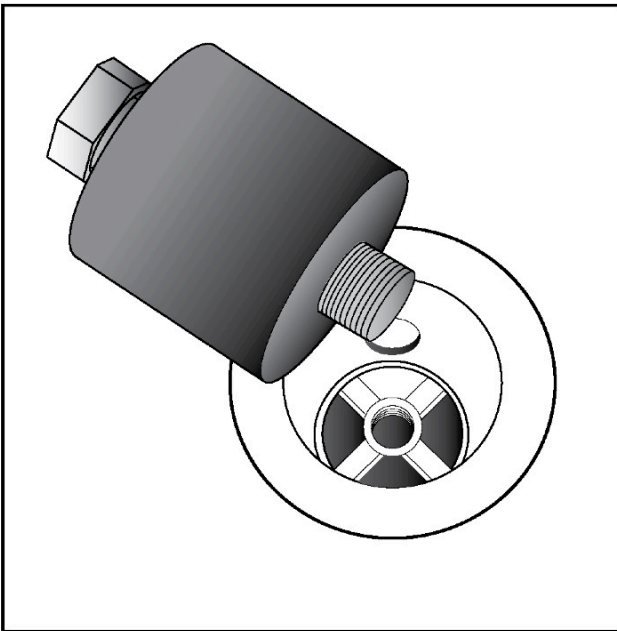
3 Disassemble Stopper Knob and Stopper from Drain Assembly. Set aside for re-use.



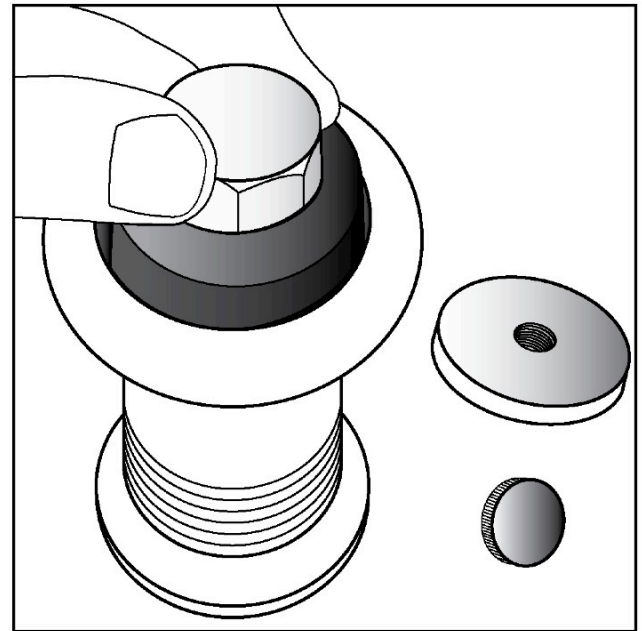
- 4** Remove Bushing & Shank using a with 1/2" socket wrench. Set aside for re-use.



- 5** Insert seal assembly into threaded hole and engage Drain base threads.

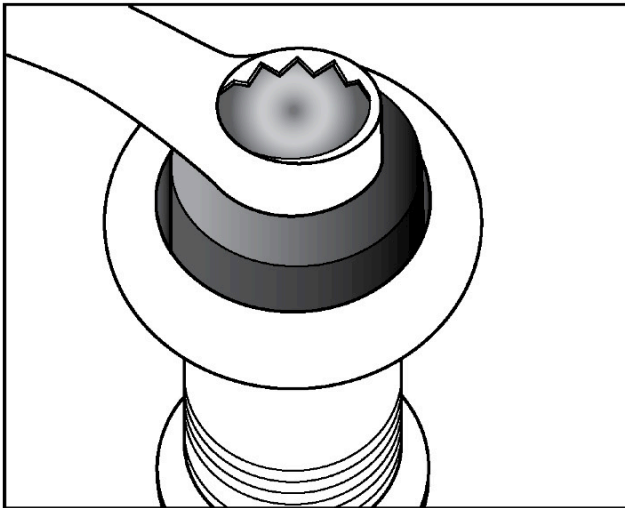


- 6** Hand tighten Rubber Seal into Drain Body.



7 Using a 3/4" wrench and tighten 4-1/2 turns to seal Test Plug in Drain.

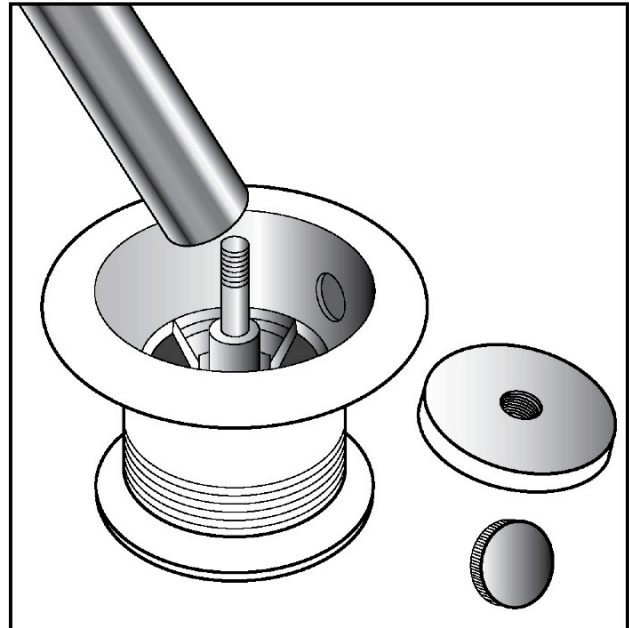
If required, apply additional torque in 1/4 turn increments to further compress Rubber Test Plug against Drain Walls.



Conduct drain line low pressure test according to local code requirements.

CAUTION: Never pressurize above 20 psi.

8 After completion of test, relieve pressure. Disassemble Pressure Test Kit and reinstall original Drain Stopper components in reverse order.



9 Check operation of Lift & Turn Stopper.

