

CAMBRIDGE® 5' BATHING POOL

- Americast® brand engineered material
- Acid-resistant porcelain finish
- Integral apron with integral 3-sided tile/water retention flange
- Integral lumbar support with beveled headrest
- Full slip-resistant coverage

Bathing Pool:

- 2461.002 Bathing Pool Right Hand Drain Outlet
- 2460.002 Bathing Pool Left Hand Drain Outlet

Bathing Pool with Grab Bar Drilling:

- 2461.102 Bathing Pool Right Hand Drain Outlet
- 2460.102 Bathing Pool Left Hand Drain Outlet

Nominal Dimensions:

1524 x 813 x 451mm (60" x 32" x 17-3/4")

Bathing Well Dimensions:

1372 x 660 x 432mm (54" x 26" x 17")

Americast® brand engineered material is a composition of porcelain bonded to enameling grade metal, bonded to a patented structural composite.

Compliance Certifications -

Meets or Exceeds the Following Specifications:

- ASME A112.19.4M for Americast Fixtures
- ASTM F-462 for Slip-resistant Bathing Facilities
- ASTM E162 for Flammability
- NFPA 258 for Smoke Density
- ANSI A117.1



MEETS THE AMERICANS WITH DISABILITIES ACT GUIDELINES AND ANSI A117.1 REQUIREMENTS FOR ACCESSIBLE AND USEABLE BUILDING FACILITIES-CHECK LOCAL CODES. INSTALL WITH SEAT AT HEAD END.

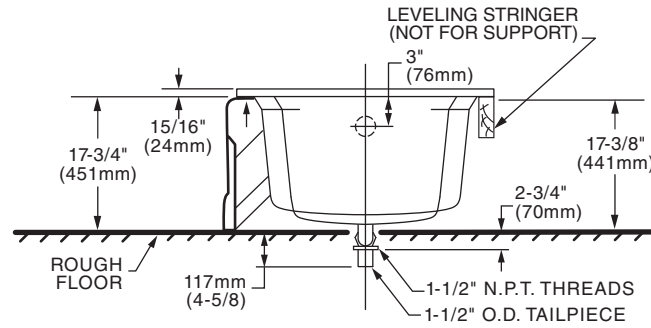
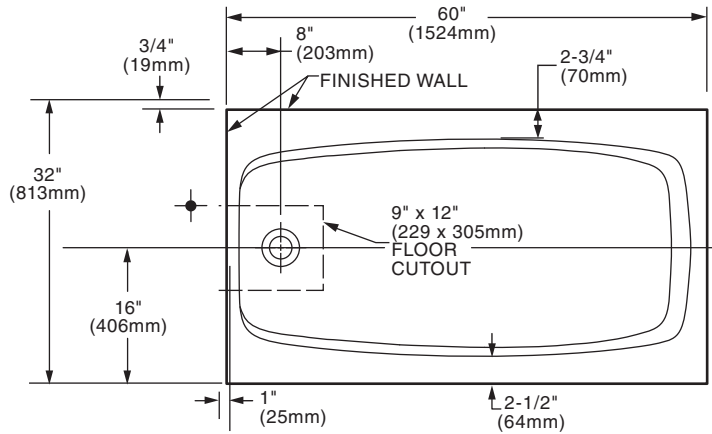


To Be Specified - Required:

- Color:
- Bath Filler: (specify finish)
- Bath Drain: 1583.470 (specify finish)

For color/finish availability and other faucet choices, please see the Product Selector and Pricing Guide.

SEE REVERSE FOR PRODUCT DIMENSIONS AND SPECIFICATIONS



IMPORTANT: Dimensions of fixtures are nominal and may vary within the range of tolerances established by ANSI Standard A112.19.4. These measurements are subject to change or cancellation. No responsibility is assumed for use of superseded or voided leaflet.

GENERAL SPECIFICATIONS FOR 2460/2461 BATHING POOL	
INSTALLED SIZE	60 x 32 x 17-3/4 In. (1524 x 813 x 451mm)
WEIGHT	118 Lbs. (54 Kg.)
WEIGHT w/WATER	535 Lbs. (242 Kg.)
GAL. TO OVERFLOW	50 Gal. (190 L)
BATHING WELL AT SUMP	41 x 20 In. (1041 x 508mm)
BATHING WELL AT RIM	54 x 26 In. (1372 x 660mm)
WATER DEPTH TO OVERFLOW	12-5/8 In. (321mm)
FLOOR LOADING	39 Lbs./Sq.Ft. (191 Kgs./Sq.m)
(PROJECTED AREA)	
PTS.	13.9
CUBE (FT ³)	30.9

NOTES:

- BATH TO BE INSTALLED ABOVE FLOOR LINE AS A RECESS INSTALLATION.
- REFER TO INSTALLATION INSTRUCTIONS FOR ADDITIONAL INFORMATION.
- LEFT HAND OUTLET SHOWN, RIGHT HAND REVERSE DIMENSIONS.
- FITTINGS NOT INCLUDED AND MUST BE ORDERED SEPARATELY.
- PROVIDE SUITABLE REINFORCEMENT FOR ALL SUPPORTS.

IMPORTANT: Dimensions of fixtures are nominal and may vary within the range of tolerances established by ANSI Standards Z124.1 and A112.19.7. These measurements are subject to change or cancellation. No responsibility is assumed for use of superseded or voided pages.