

**H2OPTION® SIPHONIC DUAL FLUSH
RIGHT HEIGHT® ELONGATED TOILET**

- ❑ **2886.218**
 - Vitreous china
 - Ultra high efficiency
 - Full Flush (4.8 Lpf/1.28 gpf)
 - Partial Flush (3.4 Lpf/0.92 gpf)
 - Elongated siphon action bowl with direct-fed jet
 - 16-1/2" rim height
 - Meets EPA WaterSense® criteria
 - MaP PREMIUM listed
 - Includes EverClean® antimicrobial surface
 - PowerWash® rim scrubs bowl with each flush
 - 305mm (12") rough-in
 - Fully glazed 2" Trapway
 - Generous 9" x 8" water surface area
 - Chrome plated top mounted push button actuator
 - Sanitary bar on bowl
 - 2 color matched bolt caps
 - Limited lifetime warranty on chinaware and limited five year warranty on all mechanical parts



- ❑ **2886.518** Same as above, except with Tank with AquaGuard Liner

Separate Component Parts:

- ❑ **3705.216** Bowl
- ❑ **4133A.218** Tank
- ❑ **4133A.518** Tank with AquaGuard Liner

Nominal Dimensions:

756 x 380 x 800mm
(29-3/4" x 15" x 31-1/2")

Fixture only, seat and supply by others

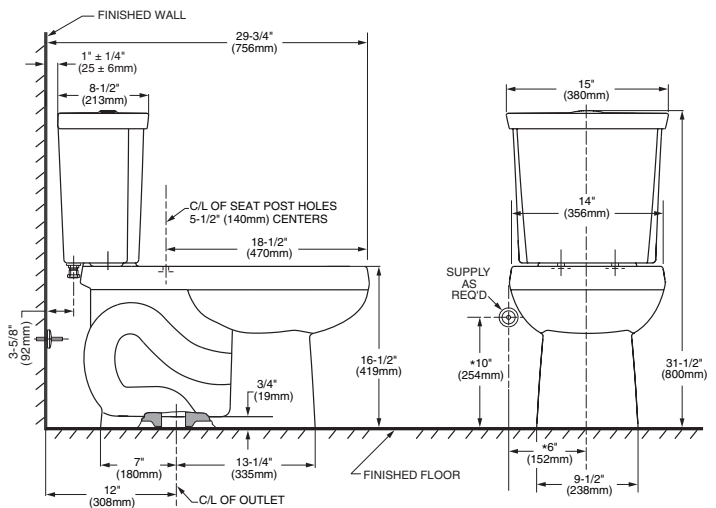
Compliance Certifications -

Meets or Exceeds the Following Specifications:

- ASME A112.19.2-2008/CSA B45.1-08 for Vitreous China Fixtures
- CALGreen and California Energy Commission (CEC) Compliant
- US EPA WaterSense® criteria for UHETs

To Be Specified:

- ❑ Color: ❑ White ❑ Bone ❑ Linen
- ❑ Seat: American Standard #5257A.65C Easy Lift and Clean Elongated Seat with Cover and Slow Close hinges
- ❑ Alternate Seat:
- ❑ Supply with stop:



NOTES:
THIS COMBINATION IS DESIGNED TO ROUGH-IN AT A MINIMUM DIMENSION OF 305MM (12") FROM FINISHED WALL TO C/L OF OUTLET. * DIMENSION SHOWN FOR LOCATION OF SUPPLY IS SUGGESTED. SUPPLY NOT INCLUDED WITH FIXTURE AND MUST BE ORDERED SEPARATELY.

IMPORTANT: Dimensions of fixtures are nominal and may vary within the range of tolerance established by ANSI Standard A112.19.2. These measurements are subject to change or cancellation. No responsibility is assumed for use of superseded or voided pages.

