

**MODEL NUMBER:**

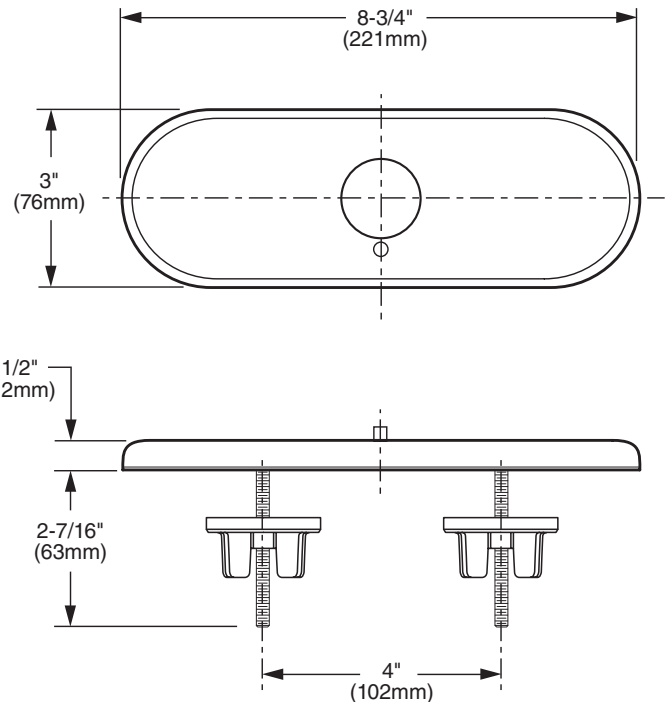
- ☐ **705P.400 4" Deck Plate**  
Solid brass with 1/4" fixation bolts.  
Polished Chrome finish.

**GENERAL DESCRIPTION:**

Solid brass deck plate for use with single post Selectronic integrated (705x series) faucets. Center fixation pin prevents the faucet spout from rotating. 1/4" fixation bolts with quick spin nuts secure the plate to the deck.

**PRODUCT FEATURES:**

- For use with single post Selectronic Integrated faucets (705x series)
- Solid brass construction
- Center fixation pin prevents the faucet spout from rotating
- 1/4" fixation bolts with quick spin nuts secure the plate to the deck
- Dimensions: 8-3/4" x 3" x 1/2" (221mm x 76mm x 12mm)
- **NOT FOR USE ON LUCERNE SINKS**



**SUGGESTED SPECIFICATION:**

The deck plate shall be solid brass construction with center fixation pin to prevent the faucet spout from rotating. 1/4" fixation bolts with quick spin nuts. Fitting shall be American Standard Model # 705P.400.002.