

**AXOR ShowerSolutions**  
**Rough, Handshower Module 5" x 5"**  
 Finishes : n.a. Part no. : 10650181



**Description**

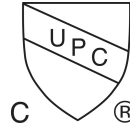
**Features**

- Horizontal or vertical installation
- Quick connection for easy, leak-free installation

**Item details**

List Price \$ 310.00

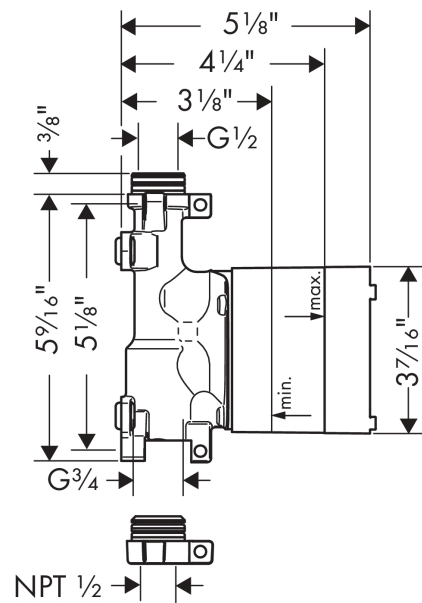
**Compliance**



**Product image**



**Scale drawing**

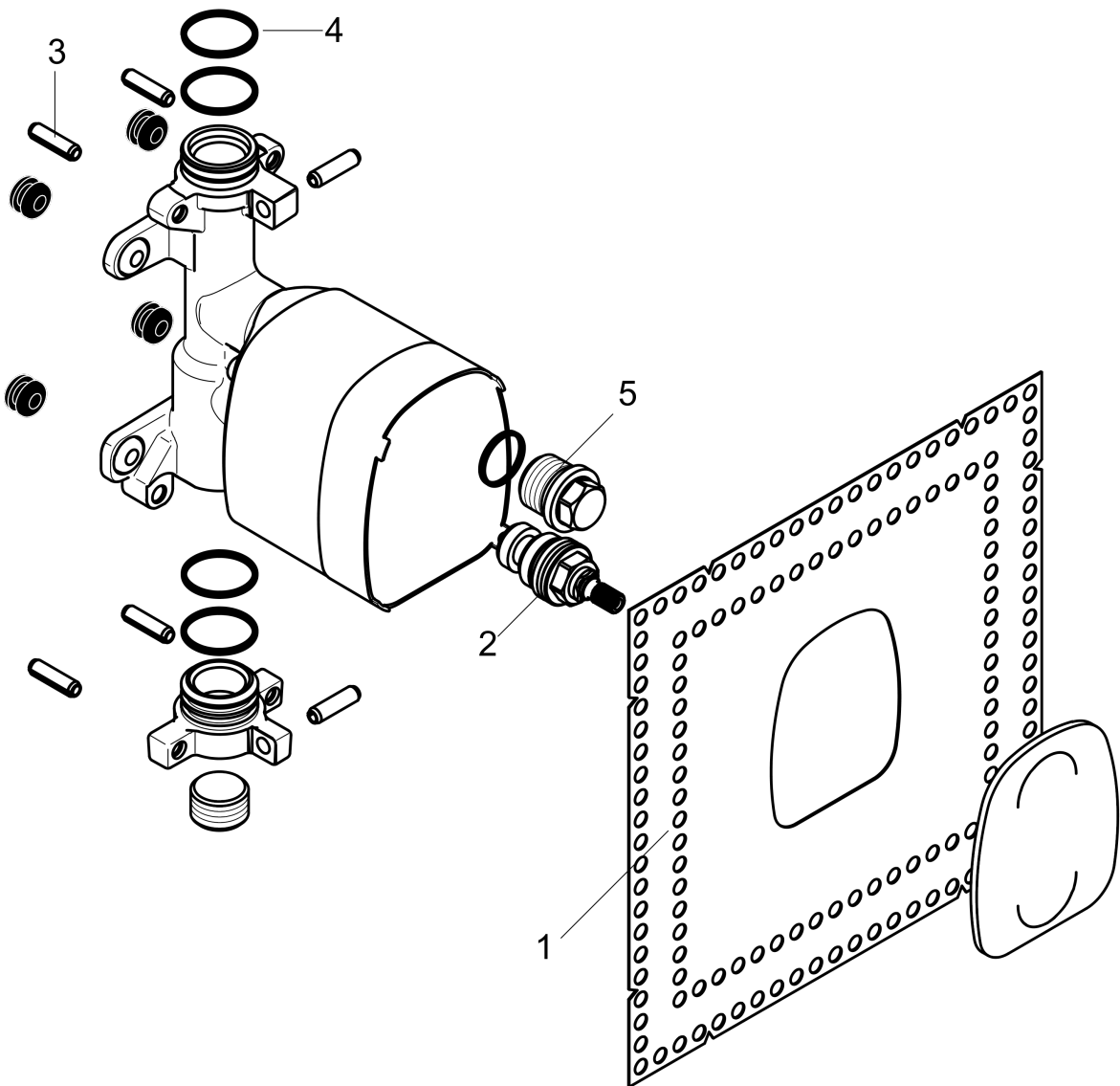


**AXOR ShowerSolutions**  
**Rough, Handshower Module 5" x 5"**  
 Finishes : n.a. Part no. : 10650181



Exploded drawing

Year of production: >01/15



**AXOR ShowerSolutions**  
**Rough, Handshower Module 5" x 5"**  
 Finishes : n.a. Part no. : 10650181



**Spare parts list**

Year of production: >01/15

Pos.	Description	Part no.	Price	PU
1	sealing foil	95389000	-	1
2	shut off unit with spindle 1/2"	94142000	-	1
3	pin	95334000	-	1
4	O-Ring 23x2,5	98183000	-	1
5	plug	95335001	-	1