

**AXOR Starck**  
**Thermostatic Trim with Volume Control and Diverter**  
 Finishes : **chrome** Part no. : **10720001**



**Description**

**Features**

- Volume control and diverter for 2 outlets
- Flow: 7.00 GPM (26.5 L/Min)
- Thermostatic cartridge, Shut-off/ diverter valve
- Anti-scald 100° safety stop

**Item details**

List Price \$ 1,076.00

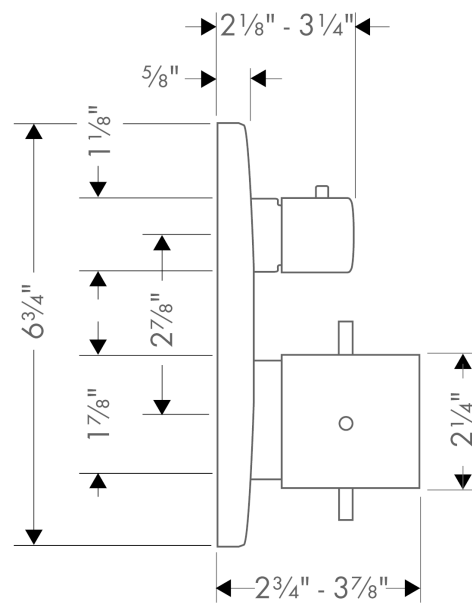
**Compliance**



**Product image**



**Scale drawing**

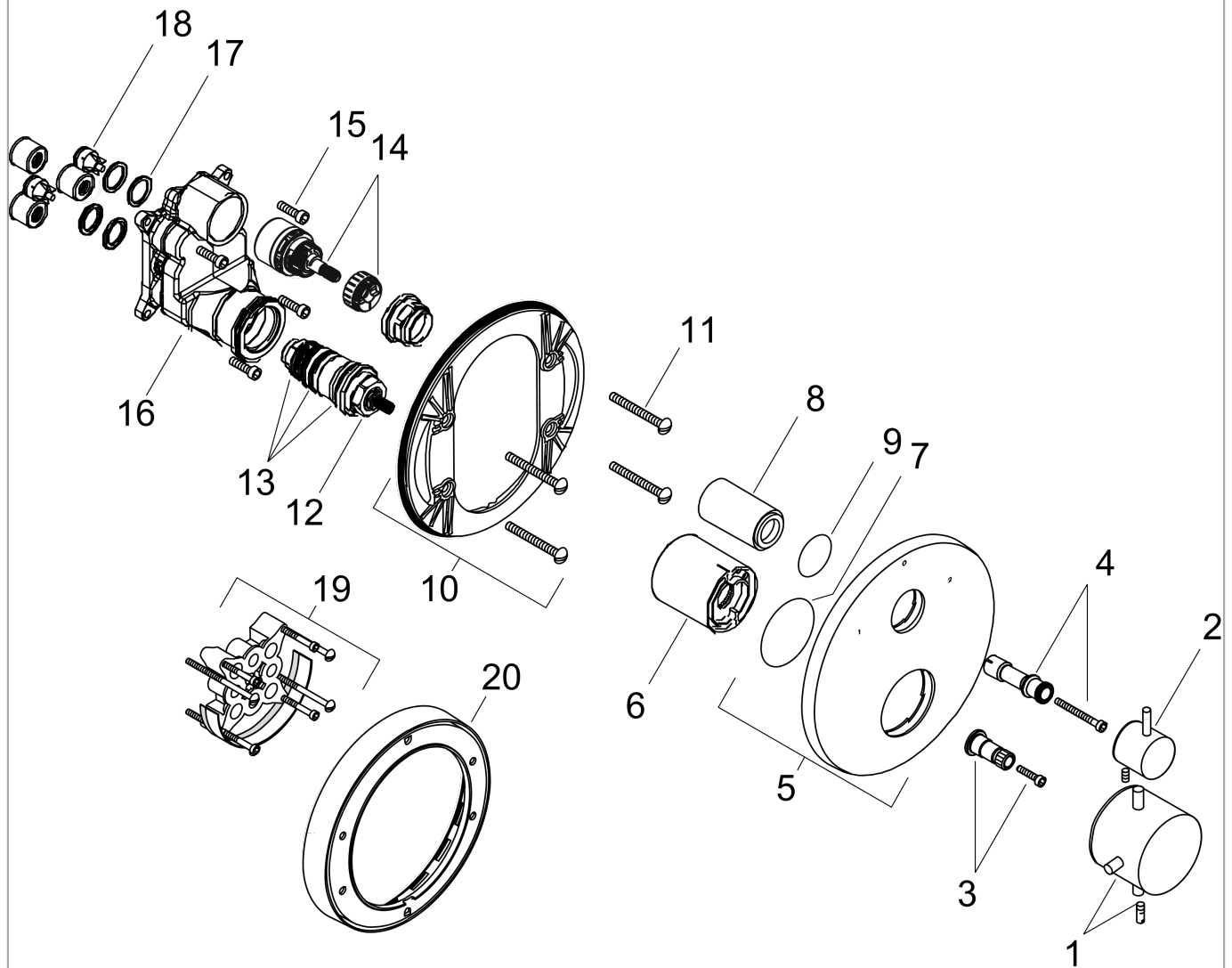


**AXOR Starck**  
**Thermostatic Trim with Volume Control and Diverter**  
 Finishes : **chrome** Part no. : **10720001**



Exploded drawing

Year of production: >06/13



**AXOR Starck**  
**Thermostatic Trim with Volume Control and Diverter**  
 Finishes : **chrome** Part no. : **10720001**



## Spare parts list

Year of production: >06/13

Pos.	Description	Part no.	Price	PU
1	handle for thermostat	10391001	-	1
2	handle	96520000	-	1
3	adapter for handle	96435000	-	1
4	adapter for handle	95256000	-	1
5	escutcheon Ø 170 mm	95804000	-	1
6	sleeve	96439000	-	1
7	O-Ring 48x3	95508000	-	1
8	sleeve	95253000	-	1
9	O-ring 29x3	98371000	-	1
10	sub plate	96447000	-	1
11	set of fixing screws	96454000	-	1
12	thermostat cartridge	94282000	-	1
13	sealing set	95037000	-	1
14	shut off unit with selector	98283000	-	1
15	set of screws	96525000	-	1
16	installation unit cpl.	92592000	-	1
17	O-ring 16x2	98133000	-	1
18	set of non return valves DW 15	97350000	-	1
19	extension 25 mm	13595000	-	1
20	extension 22 mm (Ø 170 mm)	13596000	-	1