

AXOR ShowerSolutions
Tube Spout Trim 10" x 5"
 Finishes : **chrome** Part no. : **10942001**



Description

Features

- Flow: 6.5 GPM
- Solid brass

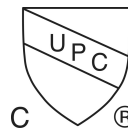
Item details

List Price \$ 919.00

Technology



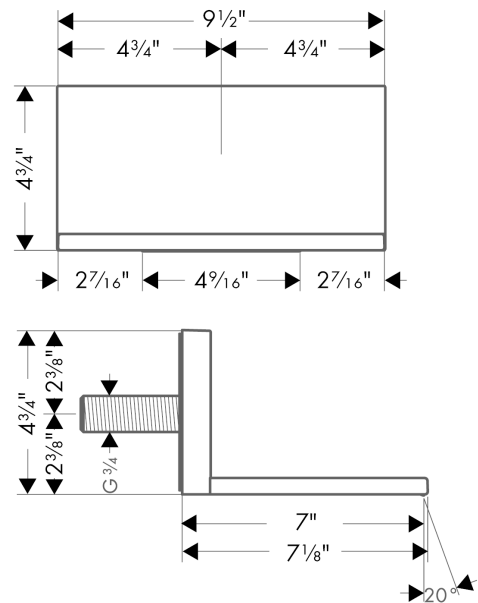
Compliance



Product image



Scale drawing

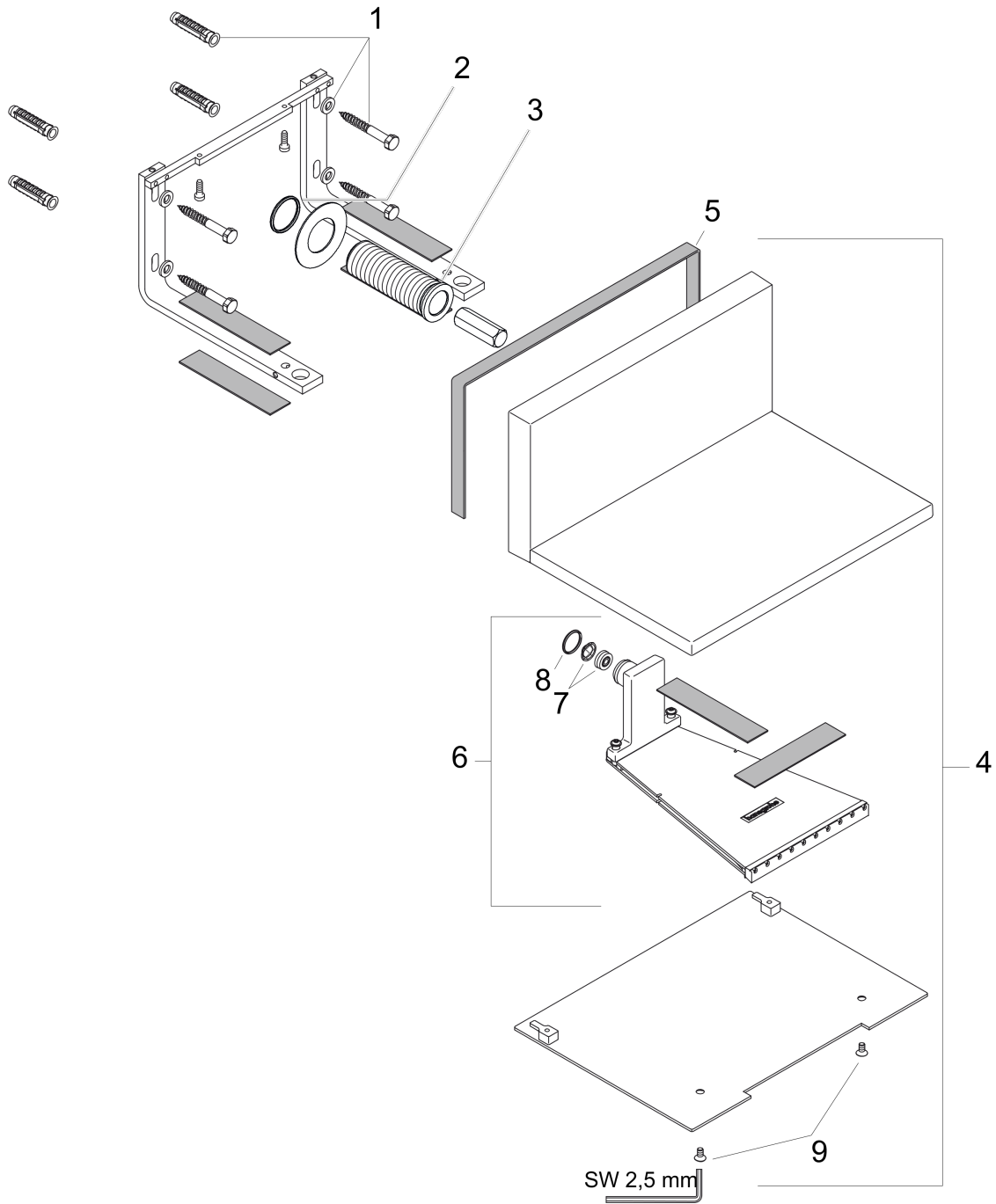


AXOR ShowerSolutions
Tub Spout Trim 10" x 5"
 Finishes : **chrome** Part no. : **10942001**



Exploded drawing

Year of production: >12/11



AXOR ShowerSolutions

Tub Spout Trim 10" x 5"

Finishes : **chrome** Part no. : **10942001**



Spare parts list

Year of production: >12/11

Pos.	Description	Part no.	Price	PU
1	mounting kit	95430000	-	1
2	O-ring 24x2	98388000	-	1
3	connecting thread G $\frac{3}{4}$	95886000	-	1
4	spout cpl.	95882000	-	1
5	seal	95885000	-	1
6	spray former	95883000	-	1
7	flow limiter (22 l/min)	95884000	-	1
8	O-ring 15x1,5	92118000	-	1
9	set of screws	92834000	-	1