

**AXOR Urquiola**  
**Thermostatic Trim with Volume Control and Diverter**  
 Finishes : **chrome** Part no. : **11733001**



**Description**

**Features**

- Volume control and diverter for 2 outlets
- Flow: 7.00 GPM (26.5 L/Min)
- Thermostatic cartridge, Shut-off/ diverter valve
- Anti-scald 100° safety stop

**Item details**

List Price \$ 1,074.00

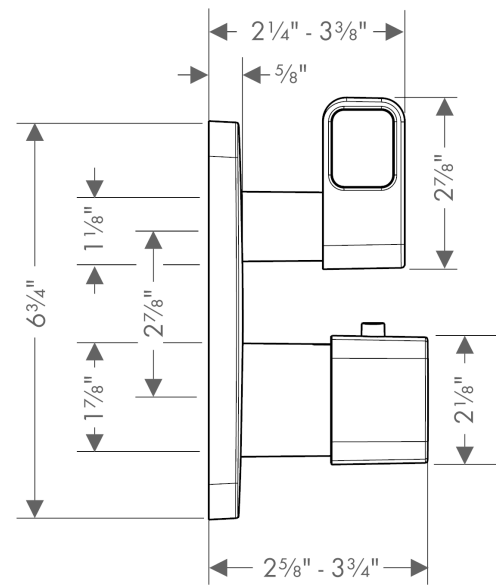
**Compliance**



**Product image**



**Scale drawing**

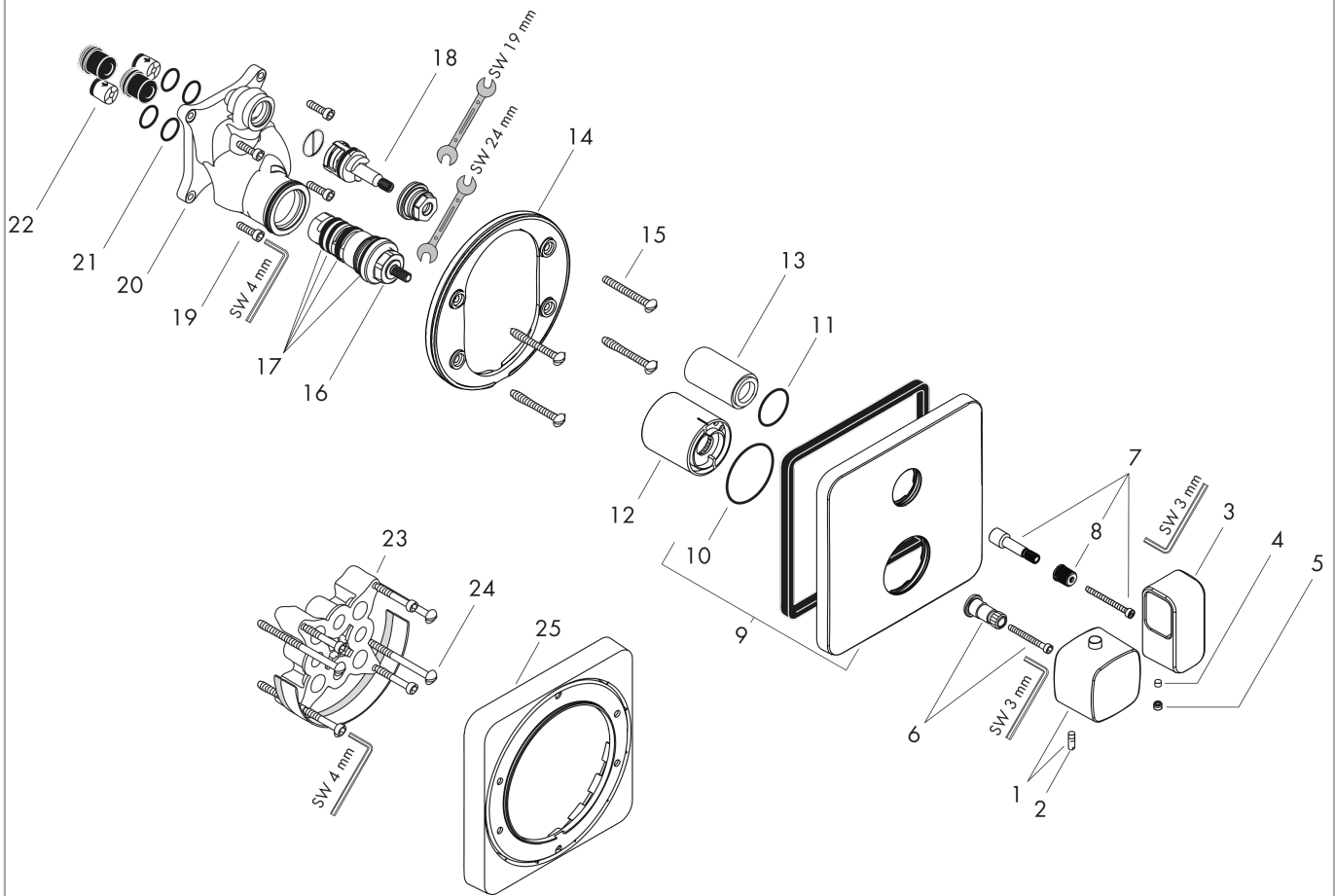


**AXOR Urquiola**  
**Thermostatic Trim with Volume Control and Diverter**  
 Finishes : **chrome**    Part no. : **11733001**



**Exploded drawing**

Year of production: >06/13



**AXOR Urquiola**  
**Thermostatic Trim with Volume Control and Diverter**  
 Finishes : **chrome** Part no. : **11733001**



### Spare parts list

Year of production: >06/13

Pos.	Description	Part no.	Price	PU
1	handle for thermostat	11791000	-	1
2	hollow set screw M5x16	97666000	-	1
3	handle	95176000	-	1
4	hollow set screw M4x8	97669000	-	1
5	screw cover	95181000	-	1
6	adapter for handle	96435000	-	1
7	adapter for handle	95252000	-	1
8	handle fixing set	98932000	-	1
9	escutcheon	95174000	-	1
10	O-Ring 48x3	95508000	-	1
11	O-ring 29x3	98371000	-	1
12	sleeve	96439000	-	1
13	sleeve	95253000	-	1
14	holder for escutcheon	98793000	-	1
15	set of fixing screws	96454000	-	1
16	thermostat cartridge	94282000	-	1
17	sealing set	95037000	-	1
18	shut off unit with selector	98283000	-	1
19	set of screws	96525000	-	1
20	installation unit cpl.	92592000	-	1
21	O-ring 16x2	98133000	-	1
22	set of non return valves DW 15	97350000	-	1
23	extension 25 mm	13595000	-	1
24	set of fixing screws	97747000	-	1
25	extension 22 mm	98860000	-	1
a	seal	95885000	-	1