

AXOR Starck
Single lever bath mixer floor-standing
Surfaces: **Chrome** Article Number: **12456001**



Description

product features

- projection 156 mm
- connection type: basic set
- spray type hand shower: Stream, IntenseRain
- flow rate of hand shower at 3 bar: 6.6 l/min
- ceramic cartridge
- temperature limitation adjustable
- non-return valve
- CEC/California/Watersaving
- cUPC/IAPMO/3016/Tap+shower/1,75pm
- DOE/FTC
- WaterSense/IAPMO/7286/Showers
- MASS/Massachusetts
- TECQ/Texas Registered

Technology



Product image

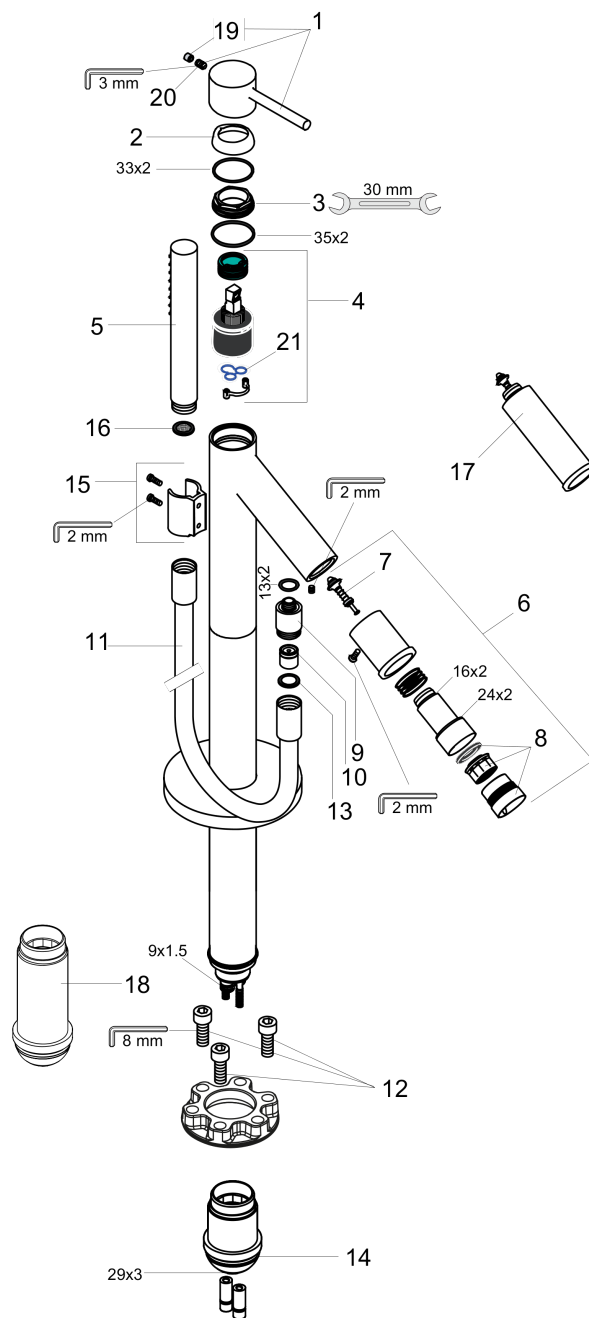


AXOR Starck
Single lever bath mixer floor-standing
 Surfaces: **Chrome** Article Number: **12456001**



Exploded Drawing

Year of production: >01/19



AXOR Starck
Single lever bath mixer floor-standing
 Surfaces: **Chrome** Article Number: **12456001**



Spare part list

Year of production: >01/19

Pos.	Description	Article Number	PC	PU
1	handle	10093000	0	1
2	flange	96763000	0	1
3	nut	97209000	0	1
4	cartridge, assy	92730000	0	1
5	handshower	04486000	0	1
6	selector assy	96294000	0	1
7	selector	96297000	0	1
8	aerator M30x1 (25 l/min)	96296000	0	1
9	connecting thread	97527000	0	1
10	set of non return valves DW 15	94074000	0	1
11	shower hose 1,25 m	28282000	0	1
12	hexagon socket screw M10x35	97670000	0	1
13	seal	98058000	0	1
14	O-ring 44x2,5	98162000	0	1
15	shower holder, assy	96295000	0	1
16	filter packing	94246000	0	1
17	extension for diverter 60 mm	10981000	0	1
18	extension set 60 mm	97686000	0	1
19	screw cover	96762000	0	1
20	hollow set screw M6x10 DIN 916	96029000	0	1
21	seal	95008000	0	1
a	O-ring 33x2	98154000	0	1
b	O-ring 35x2	92604000	0	1
c	O-ring 16x2	98133000	0	1
d	O-ring 24x2	98388000	0	1
e	O-ring 13x2	98128000	0	1
f	O-ring 29x3	98371000	0	1