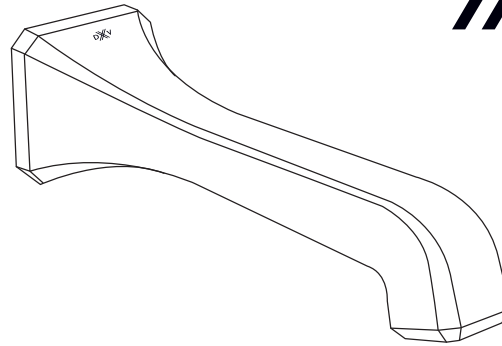


# INSTALLATION INSTRUCTIONS



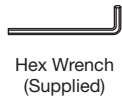
## DXV Belshire™ Wall Tub Spout Model D35170760



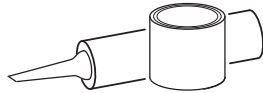
Thank you for selecting DXV. To ensure that your installation proceeds smoothly, please read these instructions carefully before you begin.

### RECOMMENDED TOOLS AND MATERIALS

Most of the procedures require the use of common tools and materials, which are available from hardware and plumbing, supply stores. It is essential that the tools and materials be on hand before work is begun.



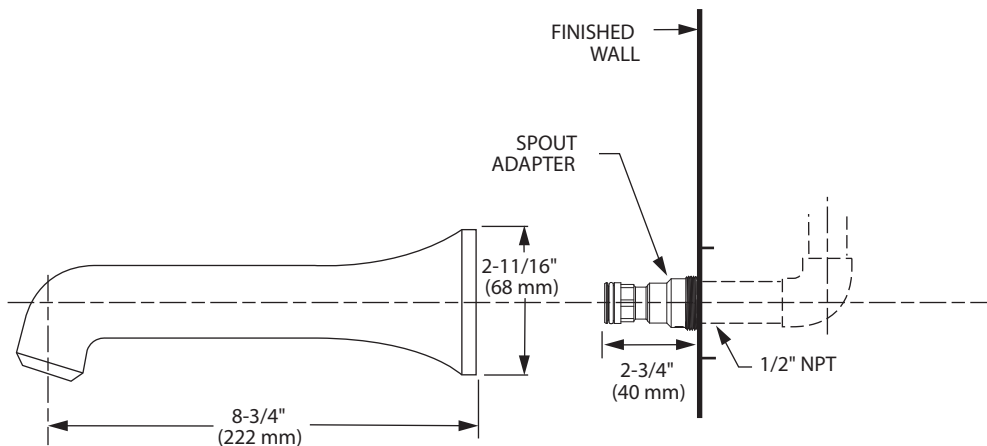
Hex Wrench  
(Supplied)



Plumbers' Putty or Caulking

### ROUGHING-IN DIMENSIONS:

- For reference



#### In the United States:

DXV  
One Centennial Avenue  
Piscataway, New Jersey 08855  
Attention: Director of Customer Care

For residents of the United States, warranty information may also be obtained by calling the following toll free number: (800) 227-2734  
[www.DXV.com](http://www.DXV.com)

#### In Canada:

DXV  
5900 Avebury Road  
Mississauga, Ontario  
L5R 3M3  
Canada

Toll Free: 1-800-387-0369  
Local: 905-306-1093  
Fax: 1-800-395-1498  
[www.DXV.ca](http://www.DXV.ca)

#### In Mexico:

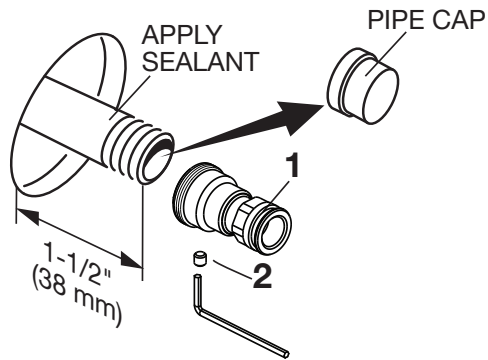
DXV  
Via Morelos 330  
Col. Santa Clara Coatitla  
Ecatepec, Estado de México 55540

Toll Free: 01-800-8391200  
[www.DXV.mx](http://www.DXV.mx)

SAVE FOR FUTURE USE

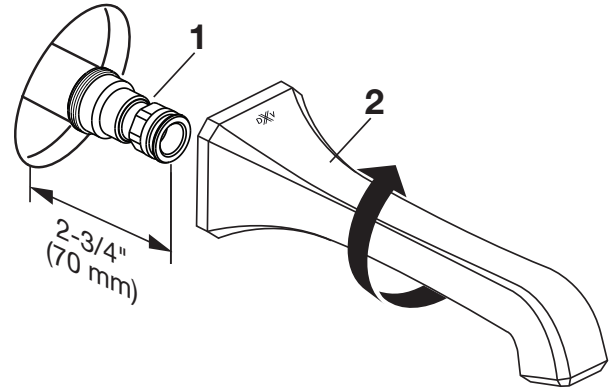
## 1 REMOVE PIPE CAP

- Remove PIPE CAP. Apply sealant to pipe nipple and tighten SET SCREW (2). Thread SPOUT ADAPTER (1) onto pipe nipple.



## 2 INSTALL SPOUT

- The SPOUT ADAPTER (1) should extend 2-3/4" from finished wall.
- Thread TUB FILLER SPOUT (2) onto SPOUT ADAPTER (1) flush against finished wall.



# DXV

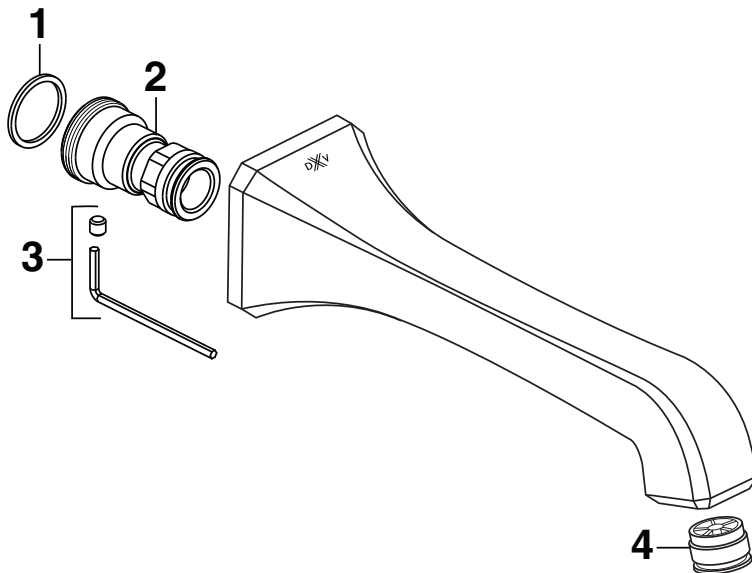
**DXV Belshire™**  
Wall Tub Spout

MODEL NUMBER

**D35170760**

Replace the "YYY" with appropriate finish code

POLISHED CHROME	100
BRUSHED NICKEL	144
PLATINUM NICKEL	150
SATIN BRASS	427



1	D970020-0070A	SPOUT O-RING
2	D970018-0070A	SPOUT ADAPTER
3	D970019-0070A	SET SCREW KIT
4	M964442-0070A	STREAM STRAIGHTENER