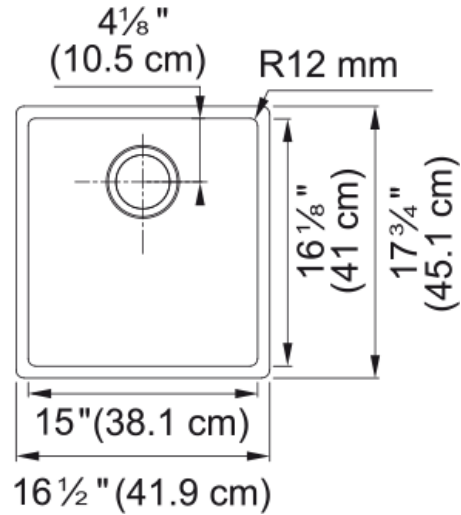


Cube Undermount Sink - CUX110-15-CA | 122.0627.760



Technical Data

Aspect

Sink type	Sink
Type of material	Stainless steel
Number of bowls	1
Color	Steel
Surface finish	Pearl

Product Dimensions

Exterior size: right to left	16.5
Exterior size: front to back	17.756
Large bowl size: right to left	15
Large bowl size: front to back	16.142
Large bowl: depth	9.016

Installation

Minimum cabinet size	18"
----------------------	-----

Product specifications

Installation type	Undermount
Drain hole	3 1/2"
Position of drainer	No drainer

Product identification

Product brand	FRANKE
Product family	Maris
Collection	Cube
Certified by	IAPMO

Features

Drainers number	No drainer
Product reversibility	No
Faucet ledge	No
Strainer assembly included	No

Strainer assembly type	No waste kit
Overflow	No
Number of faucet holes	No faucet hole
Soap dispenser hole	No