



# **Tuzio® Avento Towel Warmer Installation Guide**

**Code: H3703 / H3704 / H3705 / H3706  
19.5" x 64.25" Hydronic**

**Technical Helpline:  
Toll-Free 1-877-757-8990  
[www.icocanada.com](http://www.icocanada.com)**



3005 Saskatchewan Drive  
Regina, SK | S4T 1H5

toll free | 1 877 757 8930  
tel | 306 757 8941 fax | 306 757 8940

**Congratulations!**

**You are the proud owner of a quality Tuzio Towel Warmer.**

**This product has been specifically engineered and tested to provide optimal comfort and satisfaction.**

**ICO carries a broad range of luxury bathroom products designed to make everyday living just a little more enjoyable! Visit [www.icocanada.com](http://www.icocanada.com) to learn more.**

## **Contents**

|  |               |
|--|---------------|
| <b>Rough-In Requirements For Constant Circulation Heating System</b> | <b>Page 3</b> |
| <b>Rough-In Requirements For Dedicated Heating System</b>            | <b>Page 4</b> |
| <b>Installation Instructions</b>                                     | <b>Page 5</b> |
| <b>Valve Connection</b>  | <b>Page 5</b> |
| <b>Specifications &amp; Drawings – Wall Rough-In</b>                 | <b>Page 6</b> |
| <b>Specifications &amp; Drawings – Floor Rough-In</b>                | <b>Page 7</b> |

# Towel Warmer Installation Procedure

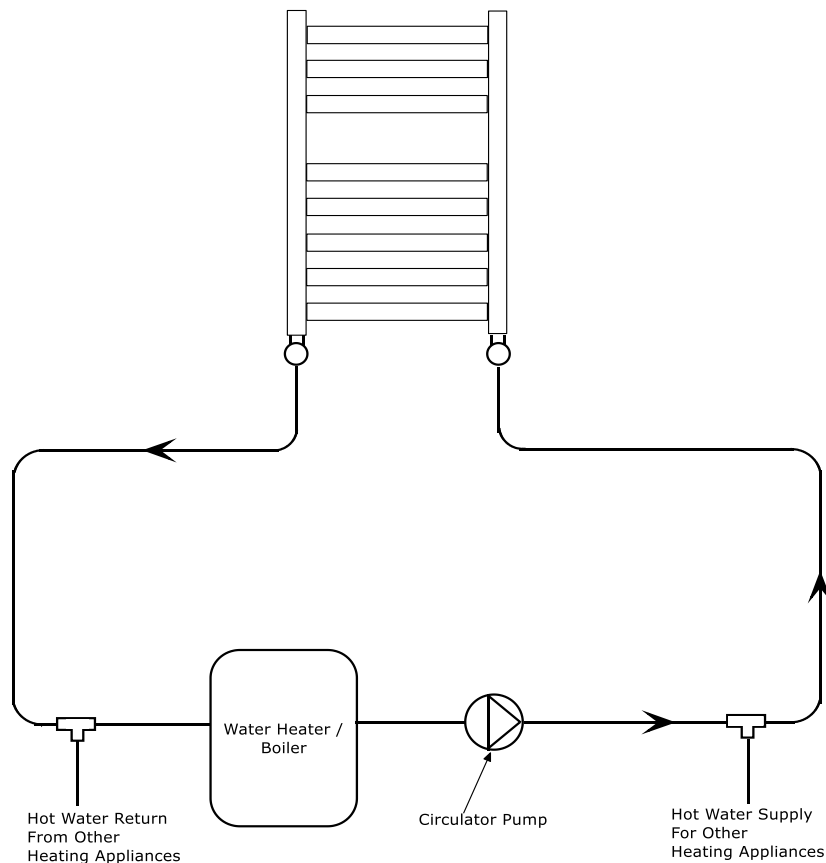


## ① Rough-in Requirements - for constant circulation heating system (see figure 1)

Using this installation method, the towel warmer is controlled using the valves attached to the towel warmer, and can be operated independently from the heating system. This method of installation is popular where there are multiple heating appliances connected to a closed hot water heating system, and electronic control of the individual towel warmer is not important. Thermostatic valves are recommended in these installations. (see figure 5)

1. Install heating system pipework to proposed towel warmer location and tee off the main circuit to provide a branch circuit for the towel warmer. Piping to towel warmer valves should be 1/2" copper.
2. If towel warmer supply pipes are coming through wall, rough-in pipes as per locations shown on fig 4. If towel warmer supply pipes are coming through floor, rough-in pipes as per locations shown on fig 7.
3. If a hydronic installation pack is being used (see figs 5 & 8), these should be connected (solder connected) within the wall / floor. If a hydronic installation pack is not being used (see figs 6 & 9), these 1/2" copper supply lines should protrude through wall/floor in order to connect to towel warmer valves.
4. Wall studs or plywood backing is required in the wall at all bracket locations. See figure 4 for bracket locations.

fig. 1



# Towel Warmer Installation Procedure

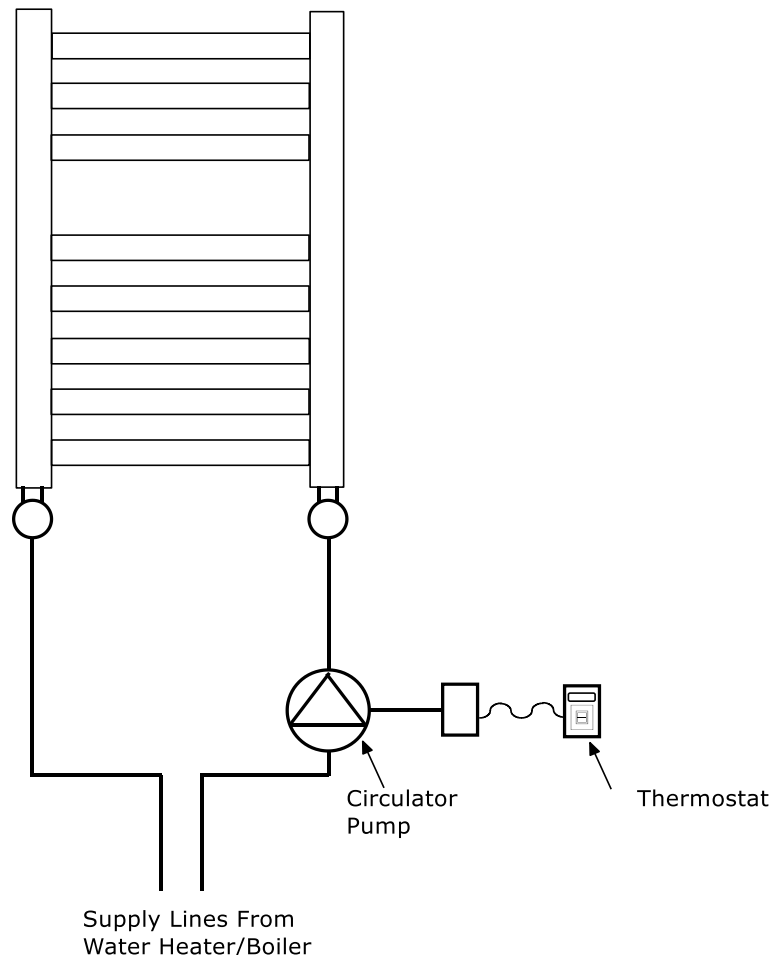


## ① Rough-in Requirements - for dedicated heating system (see figure 2)

Using this installation method, the towel warmer is controlled using the thermostat wired to the circulator pump, and cannot be operated independently from the heating system. This method of installation is popular where there is only one heating appliance connected to a closed hot water heating system, and electronic control of the individual towel warmer is required.

1. Install heating system pipework to proposed towel warmer location. Piping to towel warmer valves should be 1/2" copper.
2. If towel warmer supply pipes are coming through wall, rough-in pipes as per locations shown on fig 4. If towel warmer supply pipes are coming through floor, rough-in pipes as per locations shown on fig 7.
3. If a hydronic installation pack is being used (see figs 5 & 8), these should be connected (solder connected) within the wall / floor. If a hydronic installation pack is not being used (see figs 6 & 9), these 1/2" copper supply lines should protrude through wall/floor in order to connect to towel warmer valves.
4. Wall studs or plywood backing is required in the wall at all bracket locations. See figure 4 for bracket locations.

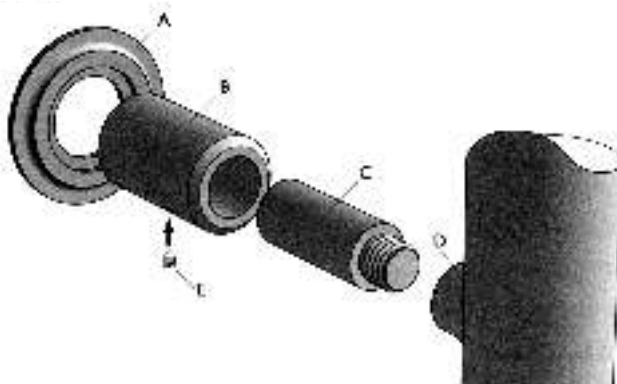
fig. 2



## 2 Installation Instructions (see figure 3)

1. Check all items have been received. You should have Towel Warmer and mounting bracket kit. Read all instructions before continuing.
2. Fix wall supports "B" including collar "A" to the wall using the screws provided and in locations as shown on figure 2.
3. Screw the threaded pin "C", into the threaded bushing "D".
4. Hang and adjust the Towel Warmer using set screws "E" to lock pin "C" in the wall bracket "B". Ensure the Towel Warmer is firmly and safely fixed.

fig. 3



## 3 Valve Connection (see figure 5, 6, 8 or 9)

1. If using a hydronic installation pack, slide escutcheon (supplied with hydronic installation pack) over 1/2" supply pipe.
2. Unscrew male threaded components including collars from valve and thread into female inlets at bottom of towel warmer using a 12mm allen key wrench.
3. Push compression fitting on to 1/2" supply pipe and tighten 1/2" compression fitting collar on valve.
4. Seat male threaded component (now connected to towel warmer) on valve and tighten collar.
5. Insert blank plug and air vent plug (supplied with bracket kit) into top female inlets on towel warmer.
6. Check for leaks and bleed system if necessary using air vent plug.

**Warning: All hydronic plumbing connections should be made in accordance with local and national plumbing regulations. It is the responsibility of the plumber to ensure plumbing system and towel warmer installation comply with these regulations.**

# Specifications & Drawings (wall rough-in)



| Model # | Description              | Finish          | Weight (lb) | Output  | WxH (mm)   | WxH (Inches)   | Metal Type      |
|---------|--------------------------|-----------------|-------------|---------|------------|----------------|-----------------|
| H3703   | Avento Hydronic          | Chrome          | 32.6        | 2123Btu | 500 x 1630 | 19.5" x 64.25" | Mild Steel      |
| H3704   | Avento Hydronic          | Brushed Nickel  | 32.6        | 2123Btu | 500 x 1630 | 19.5" x 64.25" | Stainless Steel |
| H3705   | Avento Hydronic          | Matte Black     | 32.6        | 2123Btu | 500 x 1630 | 19.5" x 64.25" | Mild Steel      |
| H3706   | Avento Hydronic          | Polished Nickel | 32.6        | 2123Btu | 500 x 1630 | 19.5" x 64.25" | Mild Steel      |
| A1043   | Thermostatic Angle Valve | Chrome          | 2.0         | -       | -          | -              | Brass           |
| A1044   | Thermostatic Angle Valve | Brushed Nickel  | 2.0         | -       | -          | -              | Brass           |
| A1045   | Thermostatic Angle Valve | Matte Black     | 2.0         | -       | -          | -              | Brass           |
| A1046   | Thermostatic Angle Valve | Polished Nickel | 2.0         | -       | -          | -              | Brass           |
| A3013   | 8" Installation Pack     | Chrome          | 0.4         | -       | -          | -              | Copper          |
| A3014   | 8" Installation Pack     | Brushed Nickel  | 0.4         | -       | -          | -              | Copper          |
| A3015   | 8" Installation Pack     | Matte Black     | 0.4         | -       | -          | -              | Copper          |
| A3016   | 8" Installation Pack     | Polished Nickel | 0.4         | -       | -          | -              | Copper          |

**Material Specifications:** Stainless Steel - Din 17457 - Quality 1.4301

**Warranty:** 5 years

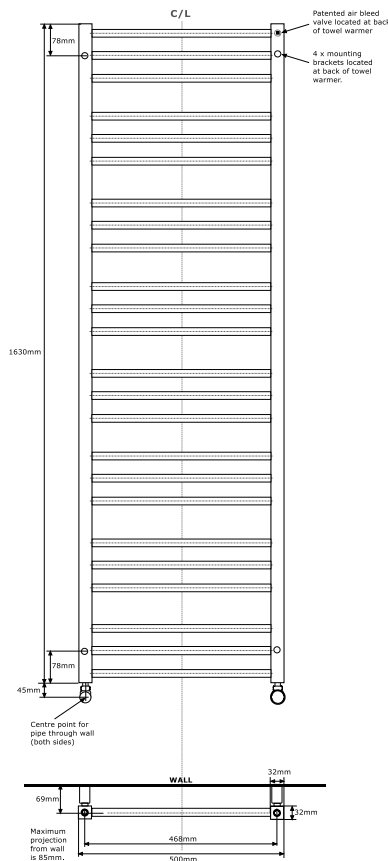
**Fixings:** Screws and fixings are included

**Hydronic System:** Hydronic towel warmer should be used only on a closed system incorporating an anti-rust inhibitor.

**Care & Maintenance:** A periodic wash using warm water and a soft cloth will retain the high quality finish of your towel warmer for many years to come. ON NO ACCOUNT should any household bleaches, detergents, abrasive polishes, steel wool or other cleaning agents be used on this item.

**IMPORTANT:** Circuit temperature must not exceed 158° Fahrenheit.

fig. 4



# Specifications & Drawings (floor rough-in)



| Model # | Description                 | Finish          | Weight (lb) | Output  | WxH (mm)   | WxH (Inches)   | Metal Type      |
|---------|-----------------------------|-----------------|-------------|---------|------------|----------------|-----------------|
| H3703   | Avento Hydronic             | Chrome          | 32.6        | 2123Btu | 500 x 1630 | 19.5" x 64.25" | Mild Steel      |
| H3704   | Avento Hydronic             | Brushed Nickel  | 32.6        | 2123Btu | 500 x 1630 | 19.5" x 64.25" | Stainless Steel |
| H3705   | Avento Hydronic             | Matte Black     | 32.6        | 2123Btu | 500 x 1630 | 19.5" x 64.25" | Mild Steel      |
| H3706   | Avento Hydronic             | Polished Nickel | 32.6        | 2123Btu | 500 x 1630 | 19.5" x 64.25" | Mild Steel      |
| A1053   | Thermostatic Straight Valve | Chrome          | 2.0         | -       | -          | -              | Brass           |
| A1054   | Thermostatic Straight Valve | Brushed Nickel  | 2.0         | -       | -          | -              | Brass           |
| A1055   | Thermostatic Straight Valve | Matte Black     | 2.0         | -       | -          | -              | Brass           |
| A1056   | Thermostatic Straight Valve | Polished Nickel | 2.0         | -       | -          | -              | Brass           |
| A3103   | 24" Installation Pack       | Chrome          | 1.0         | -       | -          | -              | Copper          |
| A3104   | 24" Installation Pack       | Brushed Nickel  | 1.0         | -       | -          | -              | Copper          |
| A3105   | 24" Installation Pack       | Matte Black     | 1.0         | -       | -          | -              | Copper          |
| A3106   | 24" Installation Pack       | Polished Nickel | 1.0         | -       | -          | -              | Copper          |

**Material Specifications:** Stainless Steel - Din 17457 - Quality 1.4301

**Warranty:** 5 years

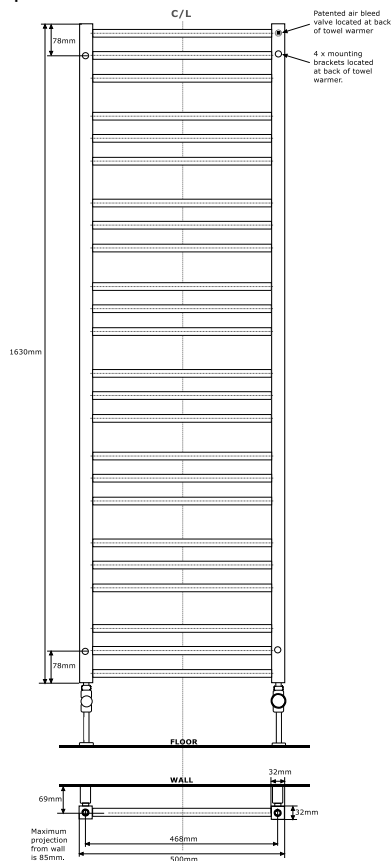
**Fixings:** Screws and fixings are included

**Hydronic System:** Hydronic towel warmer should be used only on a closed system incorporating an anti-rust inhibitor.

**Care & Maintenance:** A periodic wash using warm water and a soft cloth will retain the high quality finish of your towel warmer for many years to come. ON NO ACCOUNT should any household bleaches, detergents, abrasive polishes, steel wool or other cleaning agents be used on this item.

**IMPORTANT:** Circuit temperature must not exceed 158° Fahrenheit.

fig. 7



Tuzio®

OSY®  
BOARD

OSY®  
FLOOR



**Towel Warmers**



**Electric In-Floor Heating**



**Insulation Board**



**Bathroom Luxury**

[info@icocanada.com](mailto:info@icocanada.com)  
[www.icocanada.com](http://www.icocanada.com)

toll-free | 1 877 757 8930  
tel | 306 757 8941 fax | 306 757 8940

3005 Saskatchewan Drive  
Regina, SK | Canada | S4T 1H5