



ONCE UPON A TIME...WATER®

RUSTIK™

BF1514-110

T375 Thermostatic Shower System

SPECIFICATIONS



Components included

- BF1507-110: Rainhead with 90° wall arm
- 103604-110: Handshower
- 103608: Solid brass wallbar
- 101530: 60” lexible solid brass hose
- BF1525: 3/4” Thermostatic valve and decorative trim
- BF1527: 3/4” Volume control valve and decorative trim (3x)
- 102847: Wall outlet
- 104777-110: Adjustable body jets (4x)

Colors (Finishes)

- Chrome: BF1514-110

Certifications

The specified model meets or exceeds the following standards;

- ASME A112.18.1 / CSA B125.1 / ADA
- ICC A117.1



See the following sheets for the technical features of each component.

Installation Notes

This product must be installed following the installation instructions provided.

WARRANTY

Kalia Inc. guarantees all aspects of its products to be free of defects in material and workmanship for normal residential use. **Refer to the warranty included with the Kalia products for details.**



ONCE UPON A TIME...WATER®

1488, 2nd Street
Sainte-Marie (Quebec)
Canada G6E 1G9

T 418-387-9090
1-877-GO-KALIA (1-877-465-2542)
F 418-387-9089

KaliaStyle.com





ONCE UPON A TIME...WATER®

RUSTIK^{MC}

BF1507

STANDARD: Rainhead with 90° Wall arm

SPECIFICATIONS

Features

- 1/2" NPT male inlet
- 229 mm (9") diameter
- Anti-scale system with soft sprays
- Adjustable orientation swivel
- Solid brass construction rainhead

Colors (Finishes)

- Chrome : BF1307-110

Certifications

The specified model meets or exceeds the following standards;

ASME A112.18.1 / CSA B125.1



Packaging

- **Dimensions:** 406mm x 324mm x 133mm (16" x 12 3/4" x 5 1/4")
- **Volume:** 0.231 cu ft (0.0055 cu m)
- **Total weight:** 3.78 lb (1.72 kg)

Maximum flow rate

- 9.5 liters/min. (2.5 gallons/min.) at 80 psi



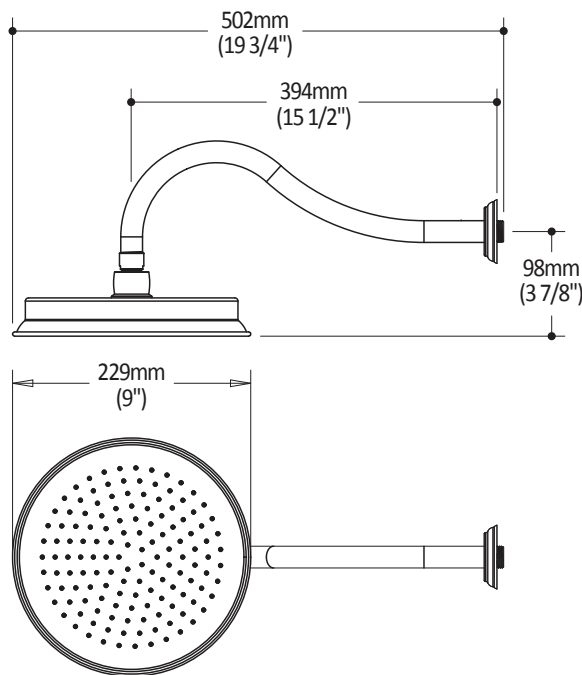
Installation Notes

This product must be installed following the installation instructions provided.

WARRANTY

Kalia inc. guarantees all aspects of its products to be free of defects in material and workmanship for normal residential use. **Refer to the warranty included with the Kalia products for details.**

Product dimensions:



Important : Dimensions are approximated and are subject to changes. Please refer to the installation instructions.



ONCE UPON A TIME...WATER®

1355, 2nd Street
Sainte-Marie (Quebec)
Canada G6E 1G9

T 418-387-9090
1-877-GO-KALIA (1-877-465-2542)
F 418-387-9089

KaliaStyle.com





ONCE UPON A TIME...WATER®

RUSTIK™

103604

STANDARD: handshower

SPECIFICATIONS

Features

- 83 mm (3 1/4") diameter
- Water G1/2 male inlet
- Max. flow 9.5 L/min (2.5 gpm)
- Solid brass construction

Colors (Finishes)

- Chrome : 103604-110

Certifications

The specified model meets or exceeds the following standard ;

ASME A112.18.1 / CSA B125.1



Packaging

- **Dimensions:** 255mm x 85mm x 80mm (10" x 3 3/8" x 3 1/8")
- **Volume:** 0.066 cu ft (0.0017 cu m)
- **Total weight:** 0.9 lb (0.4 kg)

Maximum flow rate

- 9.5 liters/min. (2.5 gallons/min.) at 80 psi



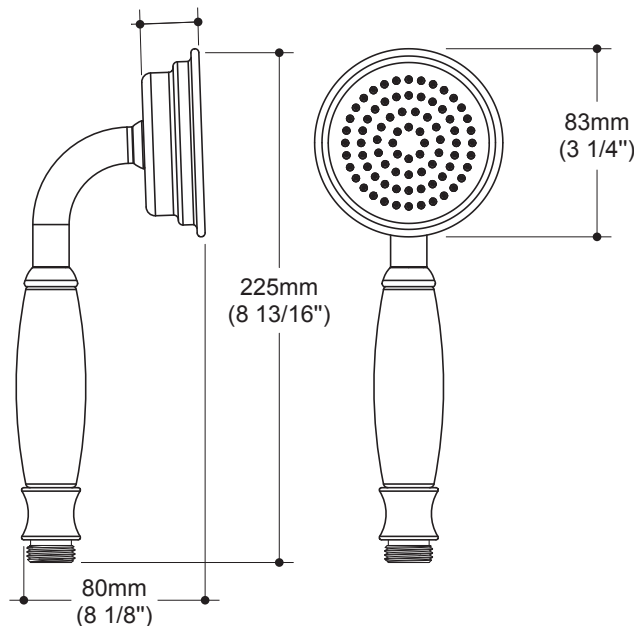
Installation Notes

This product must be installed following the installation instructions provided.

WARRANTY

Kalia inc. guarantees all aspects of its products to be free of defects in material and workmanship for normal residential use. **Refer to the warranty included with the Kalia products for details.**

Product dimensions:



Important : Dimensions are approximated and are subject to changes. Please refer to the installation instructions.



ONCE UPON A TIME...WATER®

1355, 2nd Street
Sainte-Marie (Quebec)
Canada G6E 1G9

T 418-387-9090
1-877-GO-KALIA (1-877-465-2542)
F 418-387-9089

KaliaStyle.com





103608

Wallbar for Handshower

SPECIFICATIONS

Features

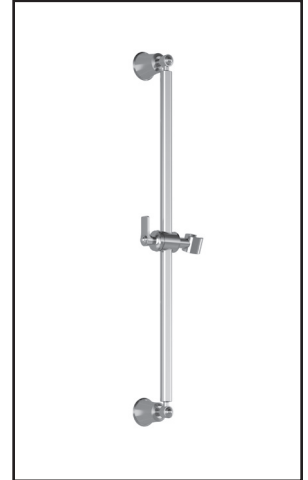
- Total height of 650 mm (25 5/8")
- Locking system of 1/4 turn
- Solid brass construction

Packaging

- **Dimensions:** 806mm x 197mm x 191mm (31 3/4" x 7 3/4" x 7 1/2")
- **Volume:** 0.039 cu ft (0.001 cu m)
- **Total weight:** 2.2 lb (1 kg)

Colors (Finishes)

- Chrome : 103608-110



Installation Notes

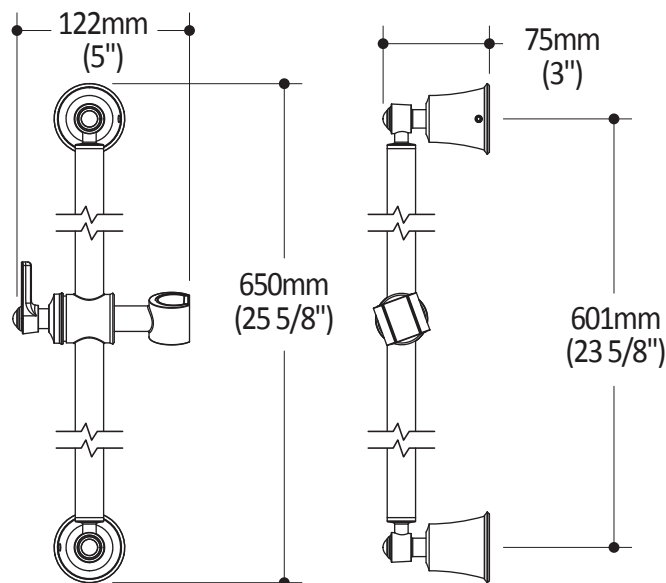
This product must be installed following the installation instructions provided.

WARRANTY

Kalia Inc. guarantees all aspects of its products to be free of defects in material and workmanship for normal residential use.

Refer to the warranty included with the Kalia products for details.

Product dimensions:



Important: Dimensions are approximated and are subject to changes. Please refer to the installation instructions.



ONCE UPON A TIME...WATER®

1355, 2nd Street
Sainte-Marie (Quebec)
Canada G6E 1G9

T 418-387-9090
1-877-GO-KALIA (1-877-465-2542)
F 418-387-9089

KaliaStyle.com





RUSTIK™

BF1525

3/4" Thermostatic Valve and Decorative Trim

SPECIFICATIONS

Features

- No visible screws
- 3/4" NPT female inlet - threaded
- Shut-off valves included
- Possibility of 3 components
- Total adjustment of 19 mm (3/4")
- Support for better stability during installation included
- Solid brass construction

Colors (Finishes)

- Chrome : BF1525-110

Certifications

The specified model meets or exceeds the following standards;

ASME A112.18.1 / CSA B125.1

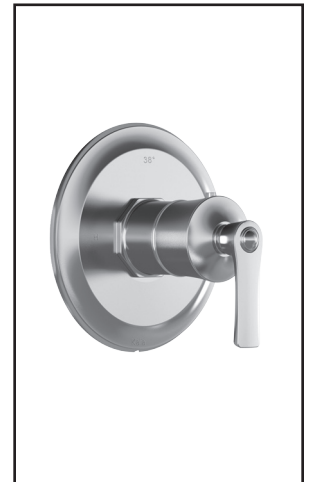


Packaging

- **Dimensions:** 362mm x 184mm x 191mm (14 1/4" x 7 1/4" x 7 1/2")
- **Volume:** 0.45 cu ft (0.013 cu m)
- **Total weight:** 5.82 lb (2.64 kg)

Maximum flow rate

- 55 liters/min. (14.5 gallons/min.) at 60 psi



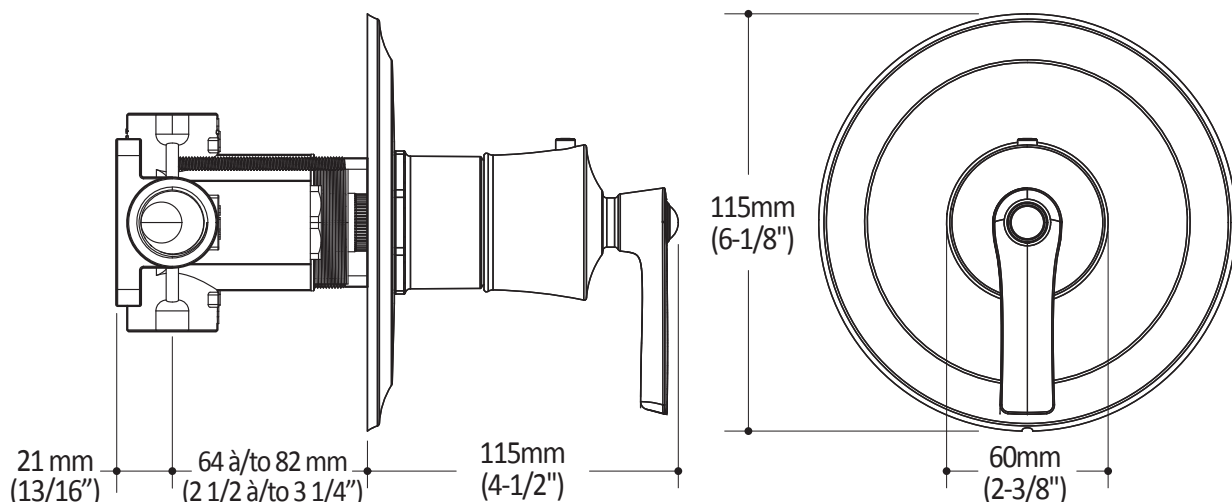
Installation Notes

This product must be installed following the installation instructions provided.

WARRANTY

Kalia Inc. guarantees all aspects of its products to be free of defects in material and workmanship for normal residential use. **Refer to the warranty included with the Kalia products for details.**

Product dimensions:



Important: Dimensions are approximated and are subject to changes. Please refer to the installation instructions.



ONCE UPON A TIME...WATER®

1355, 2nd Street
Sainte-Marie (Quebec)
Canada G6E 1G9

T 418-387-9090
1-877-GO-KALIA (1-877-465-2542)
F 418-387-9089

KaliaStyle.com





RUSTIK™

BF1527

3/4" Volume Control Valve and Decorative Trim

SPECIFICATIONS

Features

- No visible screw
- Water 3/4" female inlet NPT threaded
- Solid brass construction

Colors (Finishes)

- Chrome : BF1527-110

Certifications

The specified model meets or exceeds the following standards;

ASME A112.18.1 / CSA B125.1



Packaging

- **Dimensions:** 305mm x 117mm x 92mm (12" x 4 5/8" x 3 5/8")
- **Volume:** 0.12 cu ft (0.003 cu m)
- **Total weight:** 1.99 lb (0.9 kg)



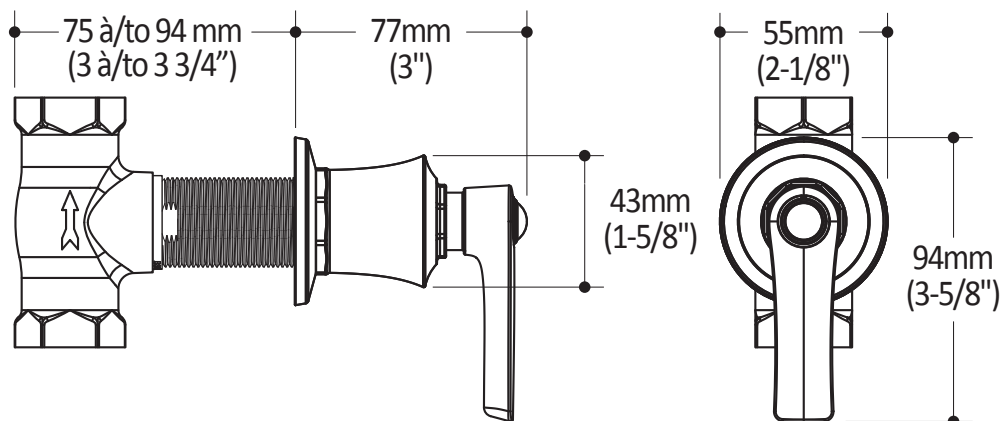
Installation Notes

This product must be installed following the installation instructions provided.

WARRANTY

Kalia Inc. guarantees all aspects of its products to be free of defects in material and workmanship for normal residential use. **Refer to the warranty included with the Kalia products for details.**

Product dimensions:



Important: Dimensions are approximated and are subject to changes. Please refer to the installation instructions.



ONCE UPON A TIME...WATER®

1355, 2nd Street
Sainte-Marie (Quebec)
Canada G6E 1G9

T 418-387-9090
1-877-GO-KALIA (1-877-465-2542)
F 418-387-9089

KaliaStyle.com





102847 Wall Outlet

SPECIFICATIONS

Features

- Water 1/2" NPT (male or female) inlet
- Water G1/2 male outlet
- Solid brass construction
- PVD finish (Physical Vapour Deposit): A high technology process that protects the surface finish for increased durability

Colors (Finishes)

- Chrome : 102847-110
- Brushed Nickel PVD : 102847-120

Certifications

The specified model meets or exceeds the following standards;

- ASME A112.18.1 / CSA B125.1



Packaging

- **Dimensions:** 305mm x 117mm x 92mm (12" x 4 5/8" x 3 5/8")
- **Volume:** 0.12 cu ft (0.003 cu m)
- **Total weight:** 0.40 lb (0.18 kg)



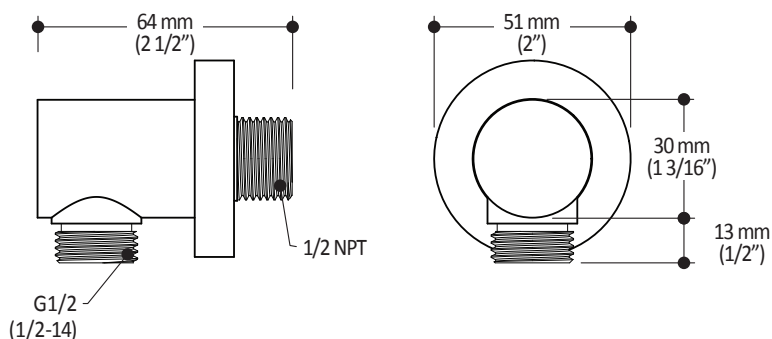
Installation Notes

This product must be installed following the installation instructions provided.

WARRANTY

Kalia Inc. guarantees all aspects of its products to be free of defects in material and workmanship for normal residential use. **Refer to the warranty included with the Kalia products for details.**

Product dimensions:



Important: Dimensions are approximated and are subject to changes. Please refer to the installation instructions.

Kalia inc.
1355, 2nd Street
Sainte-Marie (Quebec)
Canada G6E 1G9

t. 1-418-387-9090
1 877 GO KALIA (1-877-465-2542)
f. 1-418-387-9089
www.KaliaStyle.com



ONCE UPON A TIME...WATER®

104777 Body jet

SPECIFICATIONS

Features

- Male water inlet 1/2 NPT
- Solid brass water raceway
- 20° adjustable spray head
- Slim profile
- 23 mm (7/8") installation adjustment
- Round or square escutcheon trim finish
- Recessed box included

Colors (Finishes)

- Chrome : 104777-110

Certifications

The specified model meets or exceeds the following standards;

- ASME A112.18.1 / CSA B125.1

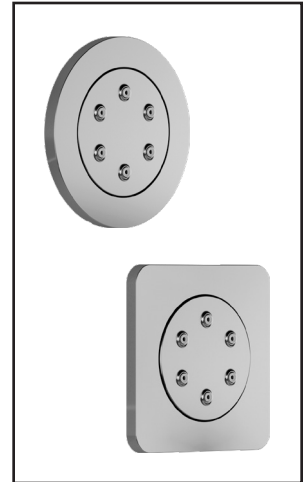


Packaging

- **Dimensions:** 370 mm x 190 mm x 205 mm (14 5/8" x 7 1/2" x 8 1/8")
- **Volume:** 0.014 m³ (0.51 pi³)
- **Total weight:** 0.66 kg (1.45 lb)

Maximum flow rate

- 3.8 litres/min. (1 gallons/min.) à 60 psi



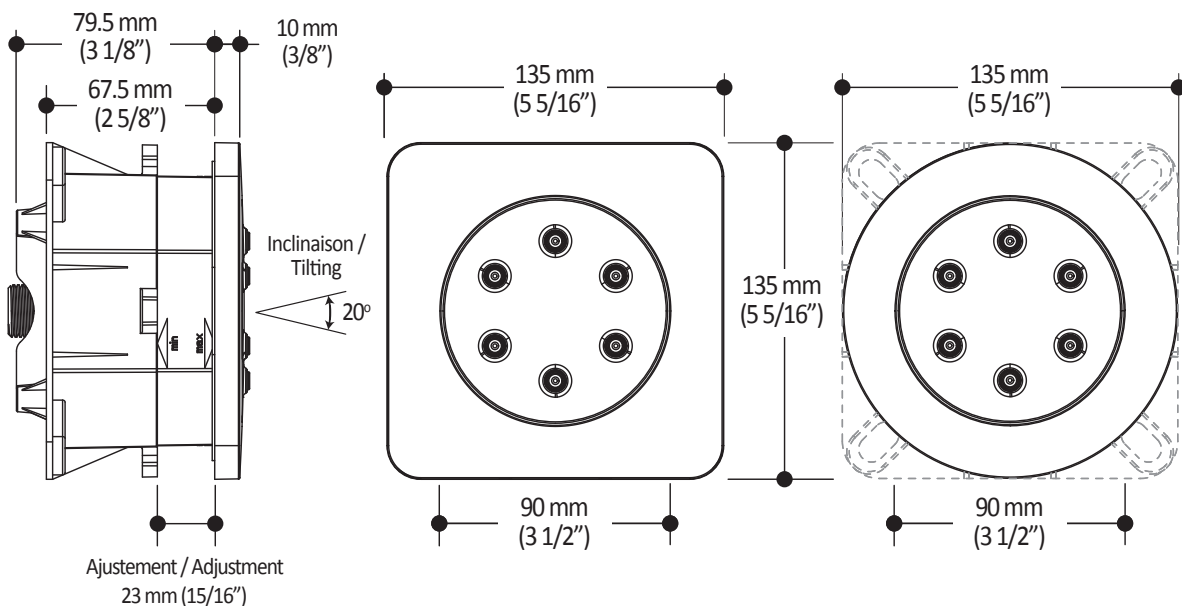
Installation Notes

This product must be installed following the installation instructions provided.

WARRANTY

Kalia Inc. guarantees all aspects of its products to be free of defects in material and workmanship for normal residential use. **Refer to the warranty included with the Kalia products for details.**

Product dimensions:



Important: Dimensions are approximated and are subject to changes. Please refer to the installation instructions.



ONCE UPON A TIME...WATER®

1355, 2^e Rue, Parc industriel
Sainte-Marie (Québec)
Canada G6E 1G9

T 418-387-9090
1-877-GO-KALIA (1-877-465-2542)
F 418-87-9089

KaliaStyle.com

