



ONCE UPON A TIME...WATER®

RUSTIK™

BF1617-110-001

STANDARD: TD3 Thermostatic Shower System

SPECIFICATIONS



Components included

- BF1508-110 : Rainhead with vertical arm
- 103604-110 : Handshower
- 103608-110 : Solid brass wallbar
- 101530-110 : 60" flexible solid brass hose
- BF1524-110 : AQUATONIK™ type T/P 1/2" valve and decorative trim
- BF1532-110 : 1/2" Volume control valve 3-way diverter and decorative trim (3 direct positions, 2 shared positions and 1 closed position)
- 102847-110 : Wall outlet
- 103603-110 : Tub spout

Colors (Finishes)

- Chrome : BF1617-110-001

Certifications

The specified model meets or exceeds the following standards;

- ASME A112.18.1 / CSA B125.1
- ICC A117.1



See the following sheets for the technical features of each component.

Installation Notes

This product must be installed following the installation instructions provided.

WARRANTY

Kalia Inc. guarantees all aspects of its products to be free of defects in material and workmanship for normal residential use. **Refer to the warranty included with the Kalia products for details.**



ONCE UPON A TIME...WATER®

1488, 2nd Street
Sainte-Marie (Quebec)
Canada G6E 1G9

T 418-387-9090
1-877-GO-KALIA (1-877-465-2542)
F 418-387-9089

KaliaStyle.com





Kalia

ONCE UPON A TIME...WATER®

RUSTIK™

BF1508

STANDARD: Rainhead with vertical ceiling arm

SPECIFICATIONS

Features

- 1/2" NPT male inlet
- 229 mm (9") diameter
- Anti-scale system with soft sprays
- Adjustable orientation swivel
- Solid brass construction rainhead

Colors (Finishes)

- Chrome : BF1308-110

Certifications

The specified model meets or exceeds the following standards;

ASME A112.18.1 / CSA B125.1



Packaging

- **Dimensions:** 406mm x 324mm x 133mm (16" x 12 3/4" x 5 1/4")
- **Volume:** 0.231 cu ft (0.0055 cu m)
- **Total weight:** 3.23 lb (1.47 kg)

Maximum flow rate

- 9.5 liters/min. (2.5 gallons/min.) at 80 psi



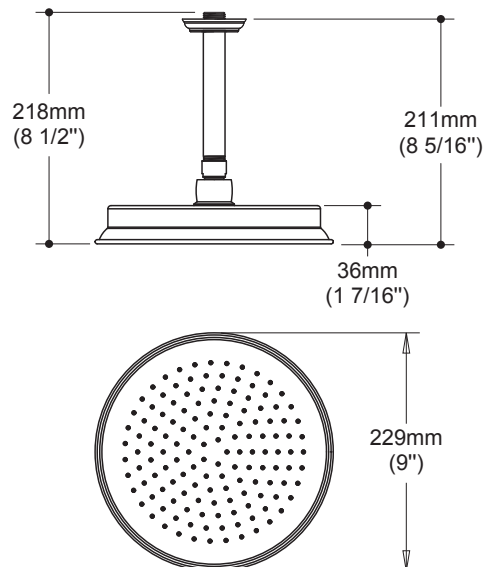
Installation Notes

This product must be installed following the installation instructions provided.

WARRANTY

Kalia inc. guarantees all aspects of its products to be free of defects in material and workmanship for normal residential use. Refer to the warranty included with the Kalia products for details.

Product dimensions:



Important : Dimensions are approximated and are subject to changes. Please refer to the installation instructions.



Kalia

ONCE UPON A TIME...WATER®

1355, 2nd Street
Sainte-Marie (Quebec)
Canada G6E 1G9

T 418-387-9090
1-877-GO-KALIA (1-877-465-2542)
F 418-387-9089

KaliaStyle.com





ONCE UPON A TIME...WATER®

RUSTIK™

103604

STANDARD: handshower

SPECIFICATIONS

Features

- 83 mm (3 1/4") diameter
- Water G1/2 male inlet
- Max. flow 9.5 L/min (2.5 gpm)
- Solid brass construction

Colors (Finishes)

- Chrome : 103604-110

Certifications

The specified model meets or exceeds the following standard ;

ASME A112.18.1 / CSA B125.1



Packaging

- **Dimensions:** 255mm x 85mm x 80mm (10" x 3 3/8" x 3 1/8")
- **Volume:** 0.066 cu ft (0.0017 cu m)
- **Total weight:** 0.9 lb (0.4 kg)

Maximum flow rate

- 9.5 liters/min. (2.5 gallons/min.) at 80 psi



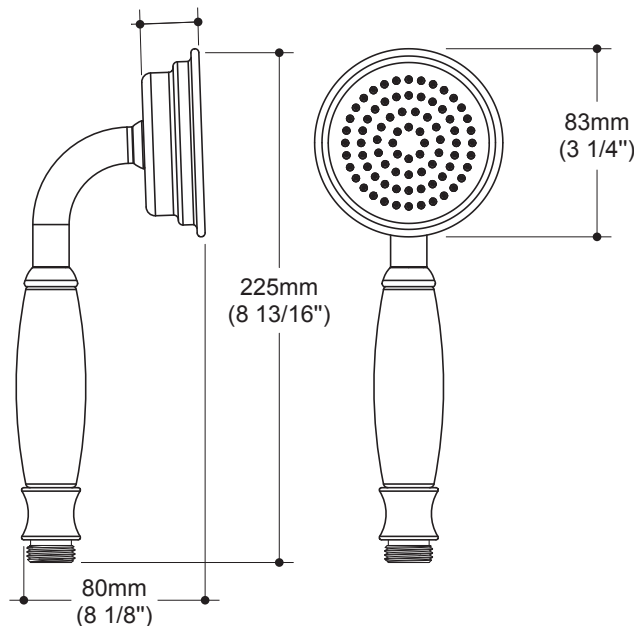
Installation Notes

This product must be installed following the installation instructions provided.

WARRANTY

Kalia inc. guarantees all aspects of its products to be free of defects in material and workmanship for normal residential use. **Refer to the warranty included with the Kalia products for details.**

Product dimensions:



Important : Dimensions are approximated and are subject to changes. Please refer to the installation instructions.



ONCE UPON A TIME...WATER®

1355, 2nd Street
Sainte-Marie (Quebec)
Canada G6E 1G9

T 418-387-9090
1-877-GO-KALIA (1-877-465-2542)
F 418-387-9089

KaliaStyle.com





103608

Wallbar for Handshower

SPECIFICATIONS

Features

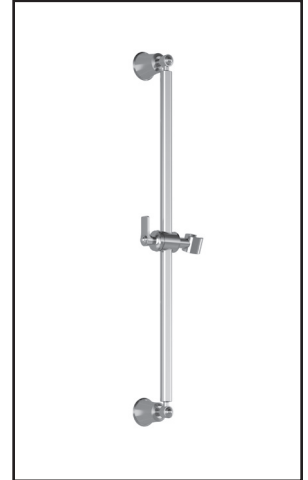
- Total height of 650 mm (25 5/8")
- Locking system of 1/4 turn
- Solid brass construction

Colors (Finishes)

- Chrome : 103608-110

Packaging

- **Dimensions:** 806mm x 197mm x 191mm (31 3/4" x 7 3/4" x 7 1/2")
- **Volume:** 0.039 cu ft (0.001 cu m)
- **Total weight:** 2.2 lb (1 kg)



Installation Notes

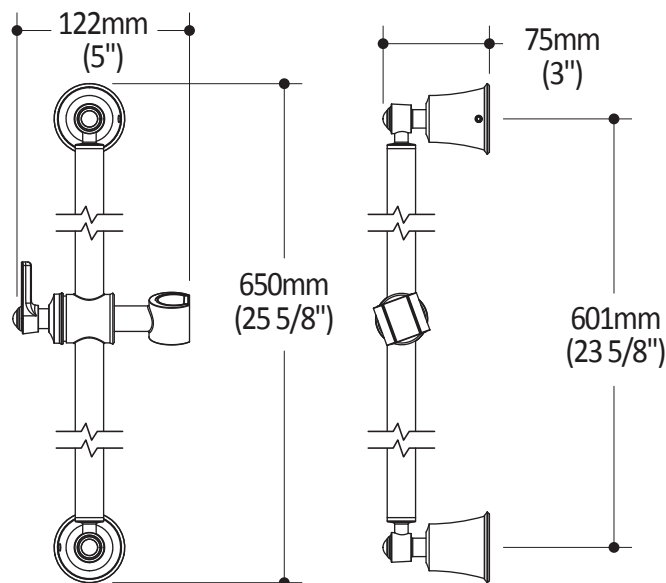
This product must be installed following the installation instructions provided.

WARRANTY

Kalia Inc. guarantees all aspects of its products to be free of defects in material and workmanship for normal residential use.

Refer to the warranty included with the Kalia products for details.

Product dimensions:



Important: Dimensions are approximated and are subject to changes. Please refer to the installation instructions.



ONCE UPON A TIME...WATER®

1355, 2nd Street
Sainte-Marie (Quebec)
Canada G6E 1G9

T 418-387-9090
1-877-GO-KALIA (1-877-465-2542)
F 418-387-9089

KaliaStyle.com





ONCE UPON A TIME...WATER®

RUSTIK™

BF1524

AQUATONIK™ type T/P 1/2" valve and decorative trim

SPÉCIFICATIONS

Features

- Solid brass construction
- No visible screw
- Integrated service stops with check valve
- Male water inlet 1/2NPT threaded or welded
- Can be installed back-to-back
- Total adjustment of 19 mm (3/4")

Colors (Finishes)

- Chrome : BF1524-110

Certifications

The specified model meets or exceeds the following standards;

- ASME A112.18.1 / CSA B125.1
- ICC A117.1



Packaging

- **Dimensions:** 370 mm x 190 mm x 205 mm (14 5/8 x 7 1/2 x 8 1/8)
- **Volume:** 0.014 cu m (0.51 cu ft)
- **Total weight:** 2.45 kg (5.4 lb)

Maximum flow rate

- 30 liters/min. (7.9 gallons/min.) at 60 psi



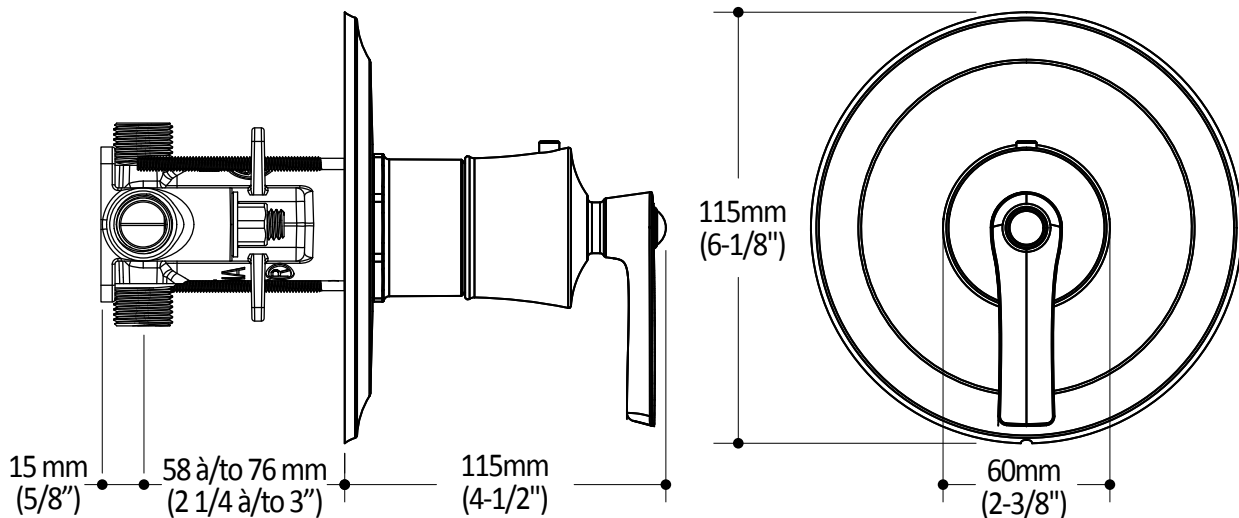
Installation Notes

This product must be installed following the installation instructions provided.

WARRANTY

Kalia Inc. guarantees all aspects of its products to be free of defects in material and workmanship for normal residential use. **Refer to the warranty included with the Kalia products for details.**

Product dimensions:



Important: Dimensions are approximated and are subject to changes. Please refer to the installation instructions.



ONCE UPON A TIME...WATER®

1355, 2^e Rue, Parc industriel
Sainte-Marie (Québec)
Canada G6E 1G9

T 418 387-9090
1 877 GO-KALIA (1 877 465-2542)
F 418 387-9089

KaliaStyle.com



Features

- No visible screw
- Water 1/2" male inlet NPT threaded
- Solid brass construction
- Total adjustment of 19 mm (3/4")
- Support for better stability during installation included

Color (Finish)

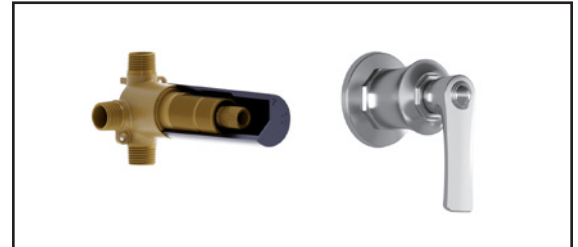
- Chrome : BF1532-110

Packaging

- **Dimensions:** 305mm x 117mm x 92mm
(12" x 4 5/8" x 3 5/8")
- **Volume:** 0.12 cu ft (0.003 cu m)
- **Total weight:** 2.6 lb (1.18 kg)

Maximum flow rate

- 1 outlet: 22.5 liters/min. (6 gallons/min.) at 60 psi
- 2 outlets: 23.5 liters/min. (6.7 gallons/min.) at 60 psi



Certifications

The specified model meets or exceeds the following standards;

- ASME A112.18.1 / CSA B125.1
- ICC A117.1



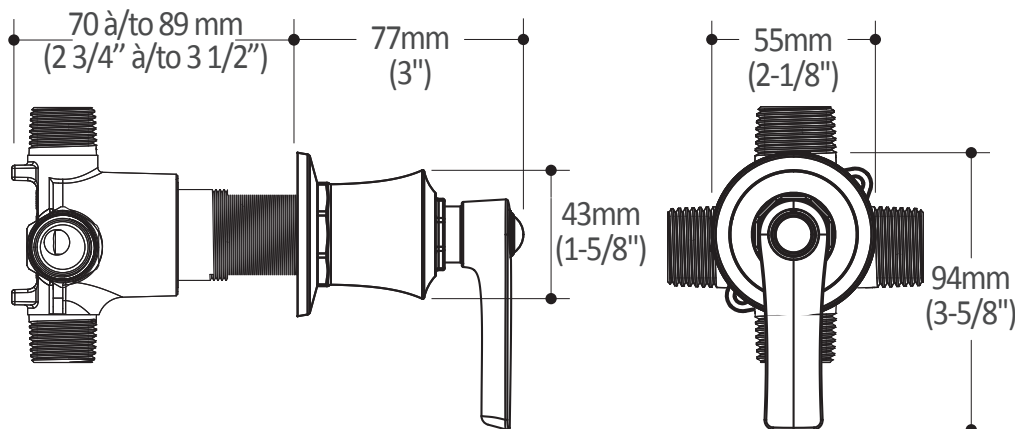
Installation Notes

This product must be installed following the installation instructions provided.

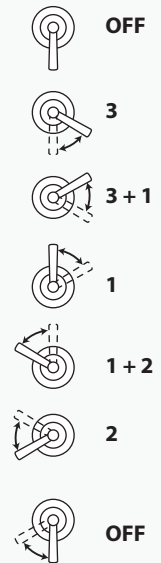
WARRANTY

Kalia Inc. guarantees all aspects of its products to be free of defects in material and workmanship for normal residential use. Refer to the warranty included with the Kalia products for details.

Product dimensions:



3 way configuration



Important: Dimensions are approximated and are subject to changes. Please refer to the installation instructions.



102847 Wall Outlet

SPECIFICATIONS

Features

- Water 1/2" NPT (male or female) inlet
- Water G1/2 male outlet
- Solid brass construction
- PVD finish (Physical Vapour Deposit): A high technology process that protects the surface finish for increased durability

Colors (Finishes)

- Chrome : 102847-110
- Brushed Nickel PVD : 102847-120

Certifications

The specified model meets or exceeds the following standards;

- ASME A112.18.1 / CSA B125.1



Packaging

- **Dimensions:** 305mm x 117mm x 92mm (12" x 4 5/8" x 3 5/8")
- **Volume:** 0.12 cu ft (0.003 cu m)
- **Total weight:** 0.40 lb (0.18 kg)



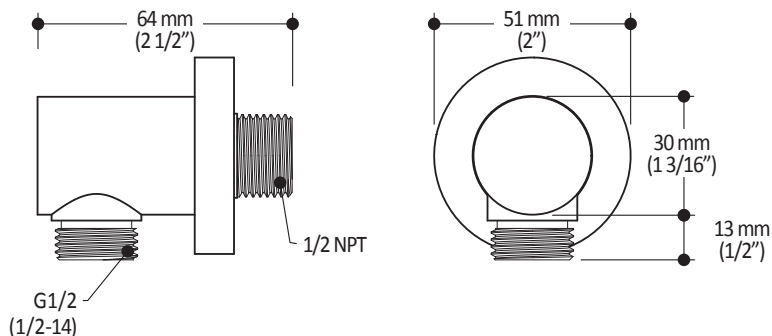
Installation Notes

This product must be installed following the installation instructions provided.

WARRANTY

Kalia Inc. guarantees all aspects of its products to be free of defects in material and workmanship for normal residential use. **Refer to the warranty included with the Kalia products for details.**

Product dimensions:



Important: Dimensions are approximated and are subject to changes. Please refer to the installation instructions.

Kalia inc.
1355, 2nd Street
Sainte-Marie (Quebec)
Canada G6E 1G9

t. 1-418-387-9090
1 877 GO KALIA (1-877-465-2542)
f. 1-418-387-9089
www.KaliaStyle.com



RUSTIK™

103603

Tub Spout

SPECIFICATIONS

Features

- Solid brass construction
- Hidden water jet
- High water flow
- 1/2" NPT female inlet

Colors (Finishes)

- Chrome : 103603-110

Certifications

The specified model meet or exceed the following standard;

ASME A112.18.1 / CSA B125.1



Packaging

- **Dimensions:** 305mm x 132mm x 82mm (12" x 5 3/16" x 3 1/4")
- **Volume:** 0.117 cu ft (0.0033 cu m)
- **Total weight:** 1.02 lb (2.25 kg)



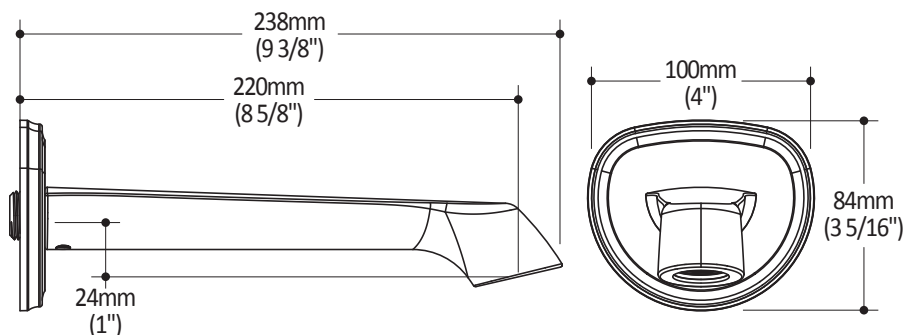
Installation Notes

This product must be installed following the installation instructions provided.

WARRANTY

Kalia Inc. guarantees all aspects of its products to be free of defects in material and workmanship for normal residential use. **Refer to the warranty included with the Kalia products for details.**

Product dimensions:



Important: Dimensions are approximated and are subject to changes. Please refer to the installation instructions.



ONCE UPON A TIME...WATER®

1355, 2nd Street
Sainte-Marie (Quebec)
Canada G6E 1G9

T 418-387-9090
1-877-GO-KALIA (1-877-465-2542)
F 418-387-9089

KaliaStyle.com

