



ONCE UPON A TIME...WATER®

**RUSTIK™**

**BF1619-110**

**STANDARD: TD3 Thermostatic Shower System**

**SPECIFICATIONS**



**Components included**

- BF1507-110 : Rainhead with 90° wall arm
- 103604-110 : Handshower
- 103608-110 : Solid brass wallbar
- 105007-110 : 60” flexible metal hose
- 103616-110 : AQUATONIK™ type T/P 1/2” valve decorative trim
- 103618-110 : 3-way 1/2” diverter decorative trim (operates 1 or 2 components at a time)
- 106192-110 : Wall outlet
- 103603-110 : Tub spout

**Colors (Finishes)**

- Chrome : BF1619-110

**Certifications**

*The specified model meets or exceeds the following standards;*



*See the following sheets for the technical features of each component.*

**Installation Notes**

This product must be installed following the installation instructions provided.

**WARRANTY**

Kalia Inc. guarantees all aspects of its products to be free of defects in material and workmanship for normal residential use. **Refer to the warranty included with the Kalia products for details.**



ONCE UPON A TIME...WATER®

1355, 2<sup>nd</sup> Street, Industrial Park  
Sainte-Marie (Québec)  
Canada G6E 1G9

T 418-387-9090  
1-877-GO-KALIA (1-87- 465-2542)  
F 418 387-9089

**KaliaStyle.com**





ONCE UPON A TIME...WATER®

**RUSTIK<sup>MC</sup>**

# BF1507 STANDARD: Rainhead with 90° Wall arm

## SPECIFICATIONS

### Features

- Male water inlet 1/2NPT
- Diameter: 225 mm (8 7/8")
- Anti-scale system with soft sprays
- Adjustable orientation swivel
- Solid brass construction rainhead

### Colors (Finishes)

- Chrome : BF1507-110

### Certifications

The specified model meets or exceeds the following standards;



### Packaging

- **Dimensions:**  
465 mm x 330 mm x 160 mm  
(18 1/4" x 13" x 6 1/4")
- **Volume:** 0.02 cu m (0.87 cu ft)
- **Total weight:** 2.45 kg (5.4 lb)

### Maximum flow rate

- 9.5 liters/min. (2.5 gallons/min.)  
at 80 psi



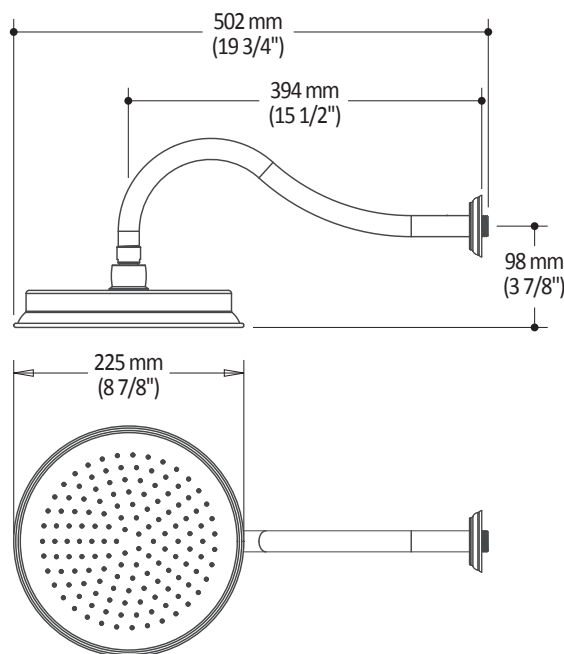
### Installation Notes

This product must be installed following the installation instructions provided.

### WARRANTY

Kalia Inc. guarantees all aspects of its products to be free of defects in material and workmanship for normal residential use. **Refer to the warranty included with the Kalia products for details.**

Product dimensions:



**Important :** Dimensions are approximated and are subject to changes. Please refer to the installation instructions.



ONCE UPON A TIME...WATER®

1355, 2<sup>nd</sup> Street, Industrial Park  
Sainte-Marie (Québec)  
Canada G6E 1G9

T 418-387-9090  
1-877-GO-KALIA (1-87- 465-2542)  
F 418 387-9089

KaliaStyle.com





ONCE UPON A TIME...WATER®

**RUSTIK™**

**BF1529**

**STANDARD: Handshower, wallbar and 60" flexible solid brass hose assembly**

**SPECIFICATIONS**

**Features**

**Handshower (13604-110)**

- Dimension: 83 mm (3 1/4")
- Water G1/2 male inlet
- Max. flow 9.5 L/min (2.5 gpm) to 80 psi
- Solid brass construction

**Wallbar (103608-110)**

- Total height of 650 mm (25 5/8")
- Locking system of 1/4 turn
- Solid brass construction

**60" flexible solid brass hose (105007-110)**

- 1/2 female connection

**Color (Finish)**

- Chrome : BF1529-110

**Certifications**

*The specified model meets or exceeds the following standards;*

ASME A112.18.1 / CSA B125.1



**Packaging**

- **Dimensions** : 832 mm x 152 mm x 89 mm (32 3/4" x 6" x 3 1/2")
- **Volume** : 0.40 cu ft (0.011 cu m)
- **Total weight**: 4.07 lb (1.85 kg)



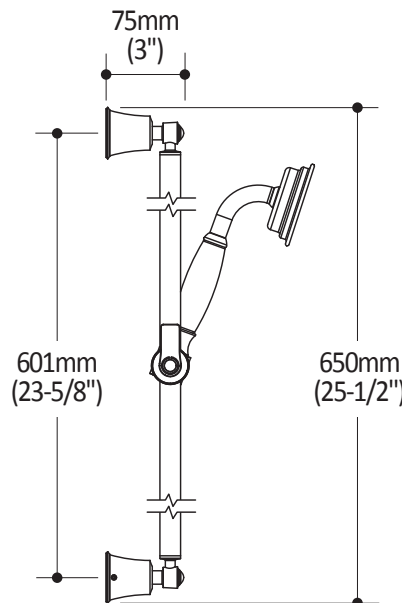
**Installation Notes**

This product must be installed following the installation instructions provided.

**WARRANTY**

Kalia inc. guarantees all aspects of its products to be free of defects in material and workmanship for normal residential use. **Refer to the warranty included with the Kalia products for details.**

*Product dimensions:*



**Important :** Dimensions are approximated and are subject to changes. Please refer to the installation instructions.



ONCE UPON A TIME...WATER®

1355, 2<sup>nd</sup> Street, Industrial Park  
Sainte-Marie (Québec)  
Canada G6E 1G9

T 418-387-9090  
1-877-GO-KALIA (1-87- 465-2542)  
F 418 387-9089

**KaliaStyle.com**





# Kalia

ONCE UPON A TIME...WATER®

# RUSTIK™

## 103616

### AQUATONIK™ type T/P 1/2" valve decorative trim

### SPÉCIFICATIONS

#### Features

- Solid brass construction
- No visible screw
- Total adjustment of 19 mm (3/4")

#### Colors (Finishes)

- Chrome : 103616-110



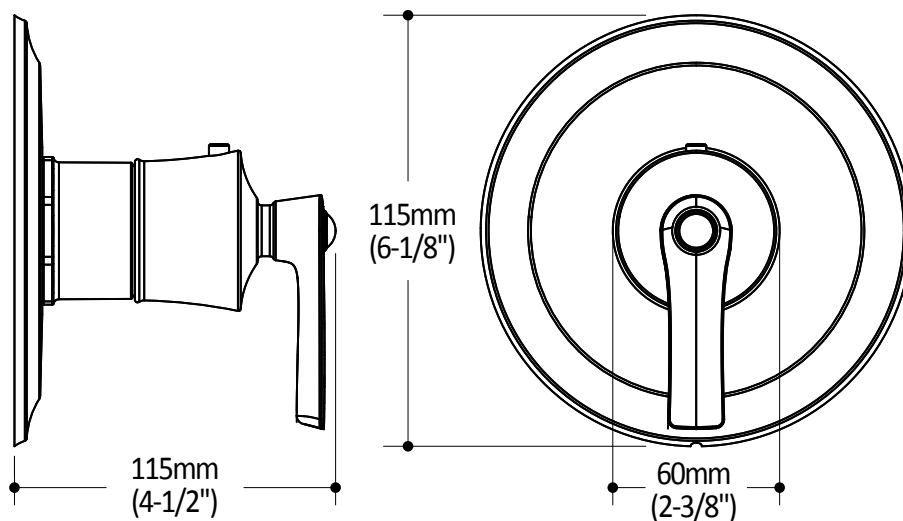
#### Installation Notes

This product must be installed following the installation instructions provided.

#### WARRANTY

Kalia Inc. guarantees all aspects of its products to be free of defects in material and workmanship for normal residential use. **Refer to the warranty included with the Kalia products for details.**

Product dimensions:



**Important:** Dimensions are approximated and are subject to changes. Please refer to the installation instructions.



ONCE UPON A TIME...WATER®

1355, 2<sup>e</sup> Rue, Parc industriel  
Sainte-Marie (Québec)  
Canada G6E 1G9

T 418 387-9090  
1 877 GO-KALIA (1 877 465-2542)  
F 418 387-9089

[KaliaStyle.com](http://KaliaStyle.com)





# Kalia

ONCE UPON A TIME...WATER®

## RUSTIK™

### 103618

### 2-way 1/2" diverter decorative trim

### SPECIFICATIONS

#### Features

- Solid brass construction
- No visible screw
- Total adjustment of 19 mm (3/4")

#### Colors (Finishes)

- Chrome : 103618-110



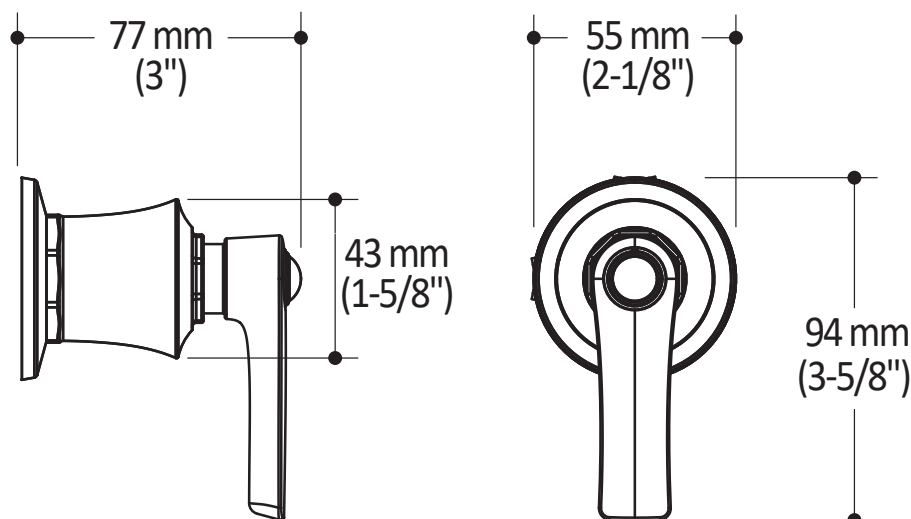
#### Installation Notes

This product must be installed following the installation instructions provided.

#### WARRANTY

Kalia Inc. guarantees all aspects of its products to be free of defects in material and workmanship for normal residential use. **Refer to the warranty included with the Kalia products for details.**

Product dimensions:



**Important:** Dimensions are approximated and are subject to changes. Please refer to the installation instructions.



## Kalia

ONCE UPON A TIME...WATER®

1355, 2<sup>nd</sup> Street, Industrial Park  
Sainte-Marie (Québec)  
Canada G6E 1G9

T 418-387-9090  
1-877-GO-KALIA (1-87- 465-2542)  
F 418 387-9089

KaliaStyle.com





**RUSTIK™**

**103603**

**Tub Spout**

**SPECIFICATIONS**

### Features

- Solid brass construction
- Hidden water jet
- High water flow
- 1/2" NPT female inlet

### Colors (Finishes)

- Chrome : 103603-110

### Certifications

*The specified model meet or exceed the following standard;*

ASME A112.18.1 / CSA B125.1



### Packaging

- **Dimensions:** 305mm x 132mm x 82mm (12" x 5 3/16" x 3 1/4")
- **Volume:** 0.117 cu ft (0.0033 cu m)
- **Total weight:** 1.02 lb (2.25 kg)



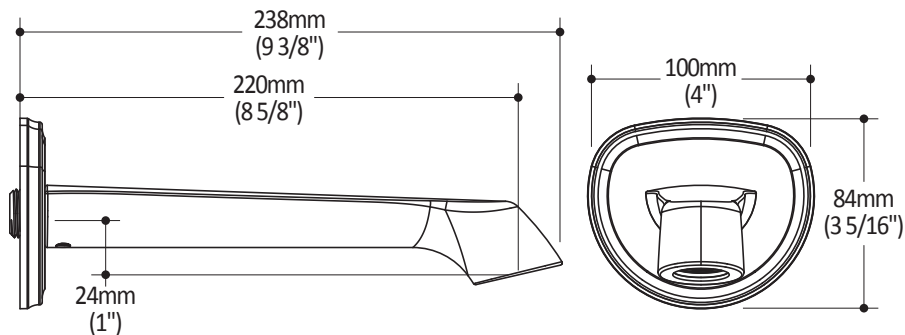
### Installation Notes

This product must be installed following the installation instructions provided.

### WARRANTY

Kalia Inc. guarantees all aspects of its products to be free of defects in material and workmanship for normal residential use. **Refer to the warranty included with the Kalia products for details.**

*Product dimensions:*



**Important:** Dimensions are approximated and are subject to changes. Please refer to the installation instructions.



ONCE UPON A TIME...WATER®

1355, 2<sup>nd</sup> Street  
Sainte-Marie (Quebec)  
Canada G6E 1G9

T 418-387-9090  
1-877-GO-KALIA (1-877-465-2542)  
F 418-387-9089

[KaliaStyle.com](http://KaliaStyle.com)





# Kalia

ONCE UPON A TIME...WATER®

## 106192 Wall Outlet

### SPECIFICATIONS

#### Features

- Female water inlet 1/2NPT
- Male water outlet G1/2
- Connector adjustable in depth
- PVD finish (Physical Vapour Deposit): A high technology process that protects the surface finish for increased durability

#### Colors (Finishes)

- Chrome: 106192-110
- Pure nickel PVD: 106192-125
- Matte black: 102847-160



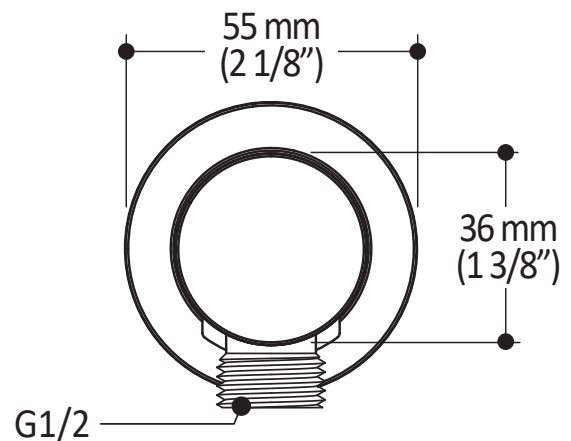
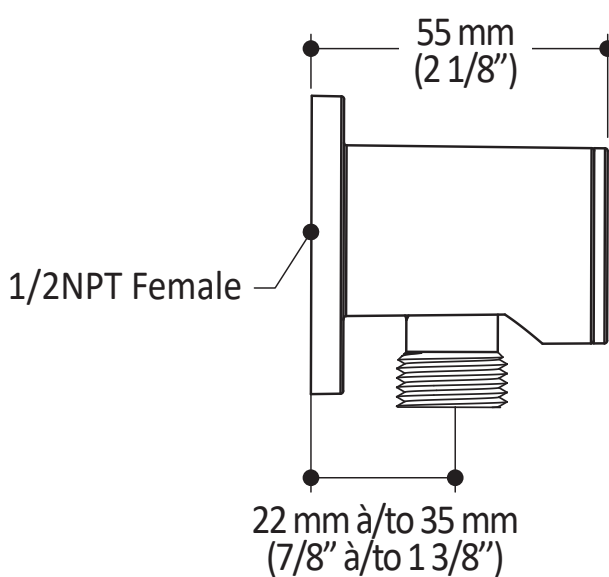
#### Installation Notes

This product must be installed following the installation instructions provided.

#### WARRANTY

Kalia Inc. guarantees all aspects of its products to be free of defects in material and workmanship for normal residential use. **Refer to the warranty included with the Kalia products for details.**

*Product dimensions:*



**Important:** Dimensions are approximated and are subject to changes. Please refer to the installation instructions.



# Kalia

ONCE UPON A TIME...WATER®

1355, 2<sup>nd</sup> Street, Industrial Park  
Sainte-Marie (Québec)  
Canada G6E 1G9

T 418-387-9090  
1-877-GO-KALIA (1-87-465-2542)  
F 418 387-9089

KaliaStyle.com

