



Kalia

ONCE UPON A TIME...WATER®

MOROKA™

BF1922-XXX-001 TD2 Thermostatic Shower System

SPECIFICATIONS

Components included

- BF1919-XXX*: 2-way AQUATONIK™ type T/P 1/2" valve with diverter (operates 1 or 2 components at a time) and decorative trim
- BF1646-XXX*: Rainhead with vertical ceiling arm
- 104289-XXX*: 2-jet handshower (2 direct functions and 1 shared function)
- 103576-XXX*: Wallbar
- 101620-XXX*: 60" flexible and soft PVC hose
- 106193-XXX*: Wall outlet

*XXX means that the finish color must be specified.

Colors (Finishes)

- Chrome: BF1922-110-001
- Matte black: BF1922-160-001

Certifications

The specified model meets or exceeds the following standards;



See the following sheets for the technical features of each component.

Installation Notes

This product must be installed following the installation instructions provided.

WARRANTY

Kalia Inc. guarantees all aspects of its products to be free of defects in material and workmanship for normal residential use. **Refer to the warranty included with the Kalia products for details.**



Kalia

ONCE UPON A TIME...WATER®

1355, 2nd Street, Industrial Park
Sainte-Marie (Québec)
Canada G6E 1G9

T 418-387-9090
1-877-GO-KALIA (1-87- 465-2542)
F 418 387-9089

KaliaStyle.com





ONCE UPON A TIME...WATER®

MOROKA™

BF1919

2-way AQUATONIK™ type T/P 1/2" valve with diverter and decorative trim

SPÉCIFICATIONS

Features

- 2 male water inlets 1/2NPT threaded or welded
- 2 male water outlets 1/2NPT threaded or welded
- Solid brass construction
- Total adjustment of 32 mm (1 1/4")
- Can be installed back to back
- Support included for better stability during installation
- Operates 1 or 2 components at a time

Colors (Finishes)

- Chrome: BF1919-110
- Matte black: BF1919-160

Maximum flow rate

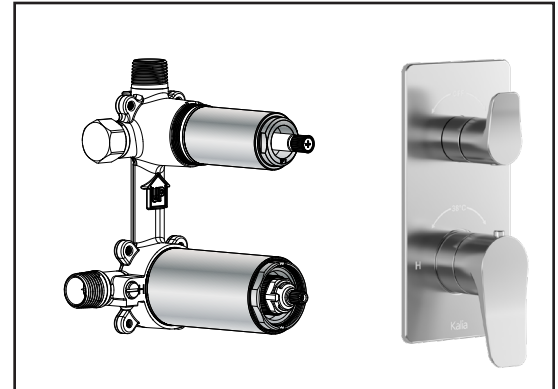
- 1 outlet: 22 L/min (5.9 gpm) at 60 psi
- 2 outlets: 23.5 L/min (6.21 gpm) at 60 psi

Certifications

The specified model meets or exceeds the following standards;



CSA B125.1
ASME A112.18.1
ICC A117.1



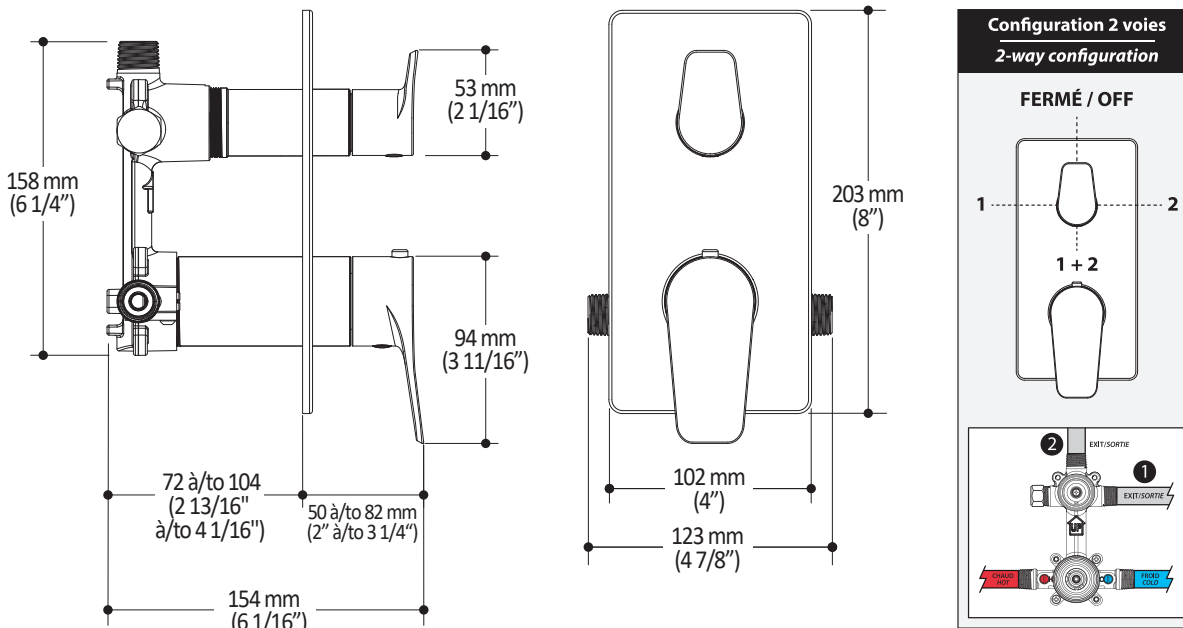
Installation Notes

This product must be installed following the installation instructions provided.

WARRANTY

Kalia Inc. guarantees all aspects of its products to be free of defects in material and workmanship for normal residential use. Refer to the warranty included with the Kalia products for details.

Product dimensions:



Important: Dimensions are approximated and are subject to changes. Please refer to the installation instructions.



ONCE UPON A TIME...WATER®

1355, 2nd Street, Industrial Park
Sainte-Marie (Québec)
Canada G6E 1G9

T 418-387-9090
1-877-GO-KALIA (1-877- 465-2542)
F 418 387-9089

KaliaStyle.com





Kalia

ONCE UPON A TIME...WATER®

BF1646 Rainhead with Vertical Ceiling Arm

SPÉCIFICATIONS

Features

- Male water inlet 1/2NPT on vertical arm
- Female water inlet G1/2 on rainhead
- Rainhead dimension:
260 mm x 188 mm x 16 mm (10 1/4" x 7 3/8" x 5/8")
- Soft tips for easy cleaning of limescale
- Adjustable orientation swivel
- Solid brass arm and plastic rainhead construction

Colors (Finishes)

- Chrome: BF1646-110
- Pure Nickel PVD: BF1646-125
- Matte Black: BF1646-160

Maximum flow rate

- 9.5 L/min (2.5 gpm) at 80 psi



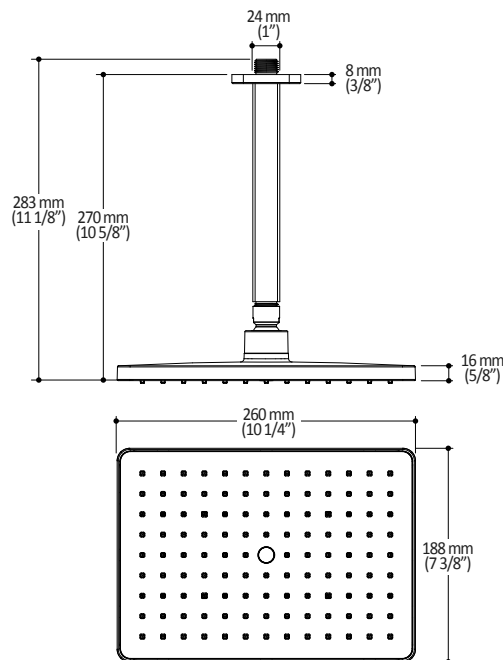
Installation Notes

This product must be installed following the installation instructions provided.

WARRANTY

Kalia Inc. guarantees all aspects of its products to be free of defects in material and workmanship for normal residential use. **Refer to the warranty included with the Kalia products for details.**

Product dimensions:



Important: Dimensions are approximated and are subject to changes. Please refer to the installation instructions.



Kalia

ONCE UPON A TIME...WATER®

1355, 2nd Street, Industrial Park
Sainte-Marie (Québec)
Canada G6E 1G9

T 418-387-9090
1-877-GO-KALIA (1-877-465-2542)
F 418 387-9089

KaliaStyle.com





ONCE UPON A TIME...WATER®

103576

Wallbar for handshower

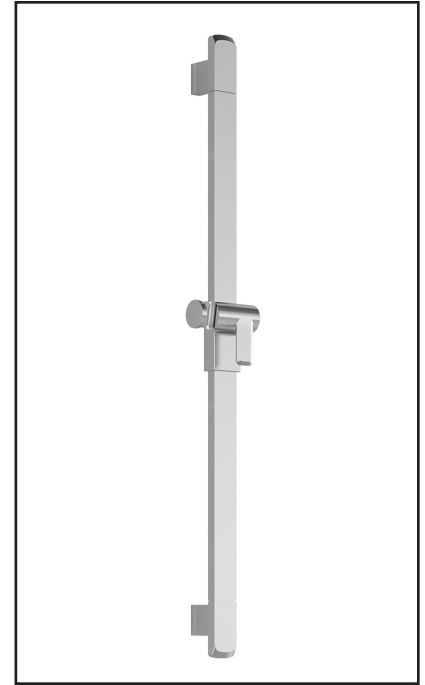
SPÉCIFICATIONS

Features

- Total height of 775 mm (30 1/2")
- Easy-to-use gliding system
- Locking system

Colors (Finishes)

- Chrome: 103576-110
- Pure Nickel PVD: 103576-125
- Matte Black: 103576-160



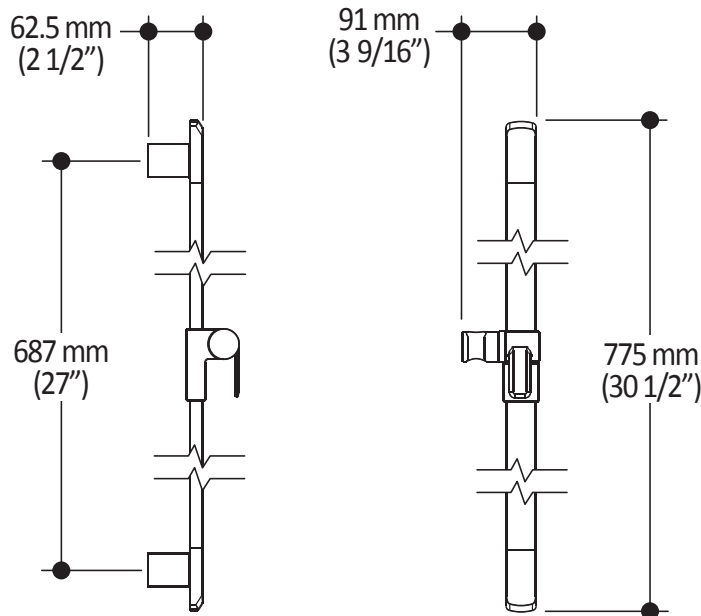
Installation Notes

This product must be installed following the installation instructions provided.

WARRANTY

Kalia Inc. guarantees all aspects of its products to be free of defects in material and workmanship for normal residential use. **Refer to the warranty included with the Kalia products for details.**

Product dimensions:



Important : Dimensions are approximated and are subject to changes. Please refer to the installation instructions.



ONCE UPON A TIME...WATER®

1355, 2nd Street, Industrial Park
Sainte-Marie (Québec)
Canada G6E 1G9

T 418-387-9090
1-877-GO-KALIA (1-87- 465-2542)
F 418 387-9089

KaliaStyle.com





Kalia

ONCE UPON A TIME...WATER®

104289

2-jet handshower

SPECIFICATIONS

Features

- Male water inlet G1/2
- Dimension: 80 mm (3 1/8") x 110 (4 3/8")
- 2 direct functions and 1 shared function
- Soft tips for easy cleaning of limescale

Colors (Finishes)

- Chrome: 104289-110
- Pure Nickel PVD: 104289-125
- Matte Black: 104289-160

Maximum flow rate

- 9.5 L/min (2.5 gpm) at 60 psi



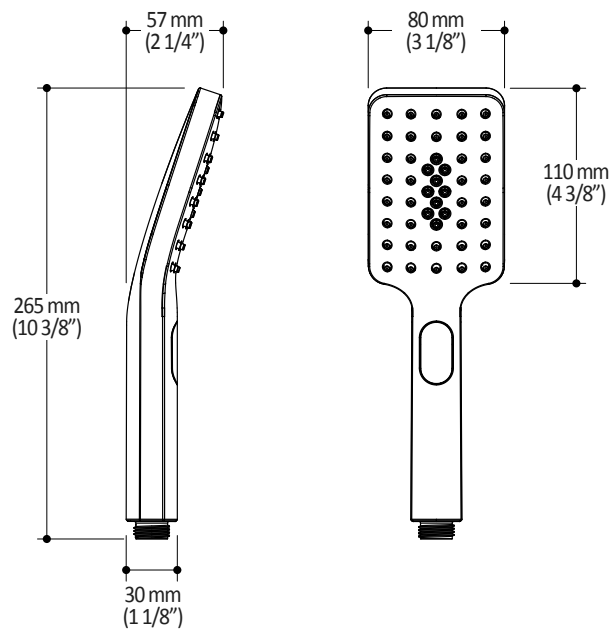
Installation Notes

This product must be installed following the installation instructions provided.

WARRANTY

Kalia Inc. guarantees all aspects of its products to be free of defects in material and workmanship for normal residential use. **Refer to the warranty included with the Kalia products for details.**

Product dimensions:



Important : Dimensions are approximated and are subject to changes. Please refer to the installation instructions.



Kalia

ONCE UPON A TIME...WATER®

1355, 2nd Street, Industrial Park
Sainte-Marie (Québec)
Canada G6E 1G9

T 418-387-9090
1-877-GO-KALIA (1-877-465-2542)
F 418 387-9089

KaliaStyle.com





Kalia

ONCE UPON A TIME...WATER®

106193 Wall Outlet

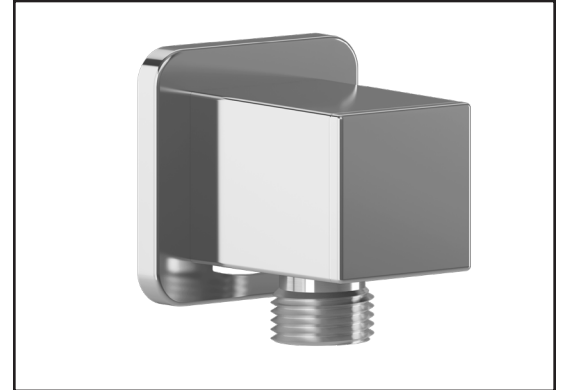
SPÉCIFICATIONS

Features

- Female water inlet 1/2NPT
- Male water outlet G1/2
- Connector adjustable in depth
- PVD finish (Physical Vapour Deposit): A high technology process that protects the surface finish for increased durability

Colors (Finishes)

- Chrome: 106193-110
- Pure nickel PVD: 106193-125
- Matte black: 106193-160



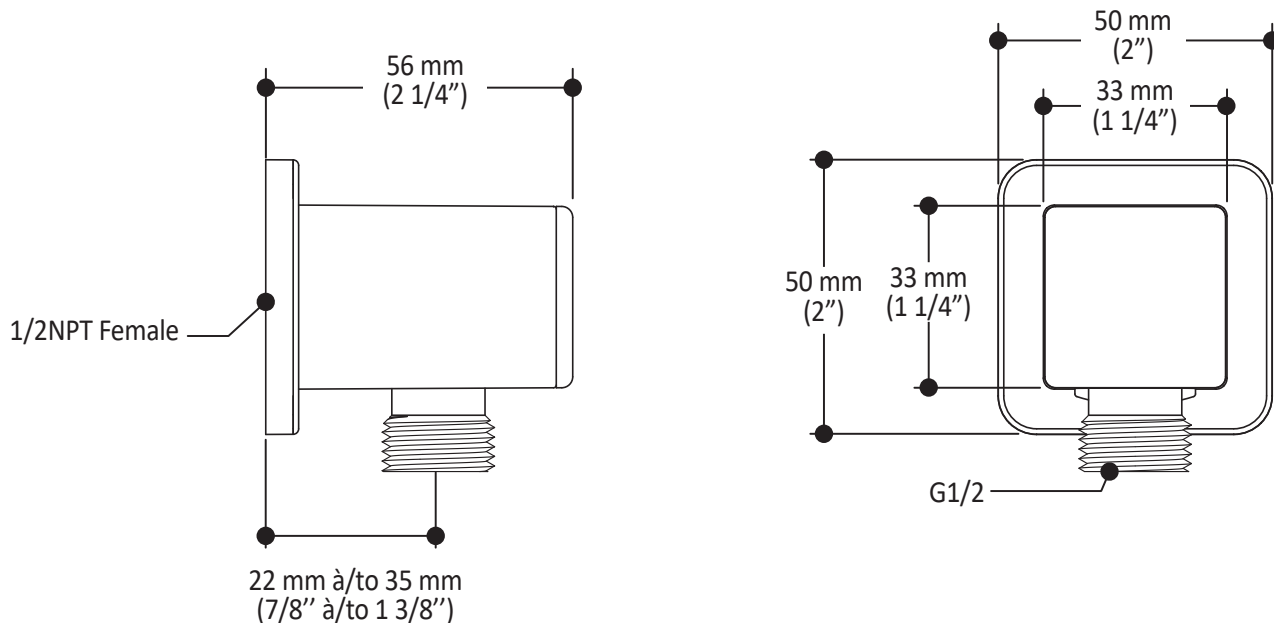
Installation Notes

This product must be installed following the installation instructions provided.

WARRANTY

Kalia Inc. guarantees all aspects of its products to be free of defects in material and workmanship for normal residential use. **Refer to the warranty included with the Kalia products for details.**

Product dimensions:



Important: Dimensions are approximated and are subject to changes. Please refer to the installation instructions.



Kalia

ONCE UPON A TIME...WATER®

1355, 2nd Street, Industrial Park
Sainte-Marie (Québec)
Canada G6E 1G9

T 418-387-9090
1-877-GO-KALIA (1-87- 465-2542)
F 418 387-9089

KaliaStyle.com

