



ONCE UPON A TIME...WATER®

MOROKA™

BF1935

Floormount tub filler with handshower (with rough-in)

SPECIFICATIONS

Features

- Solid brass construction
- Male water inlets 1/2NPT
- Ceramic disc cartridge
- Flexible 60" hose
- Laminar and hidden stream
- Integral check valves
- Integrated diverter

Colors (Finishes)

- Chrome: BF1935-110
- Pure Nickel PVD: BF1935-125
- Matte black: BF1935-160

Maximum flow rate

- 24 L/min (6.5 gpm) at 60 psi

Certifications

The specified model meets or exceeds the following standards:



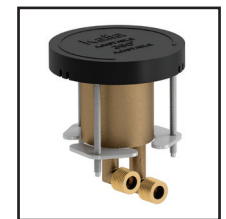
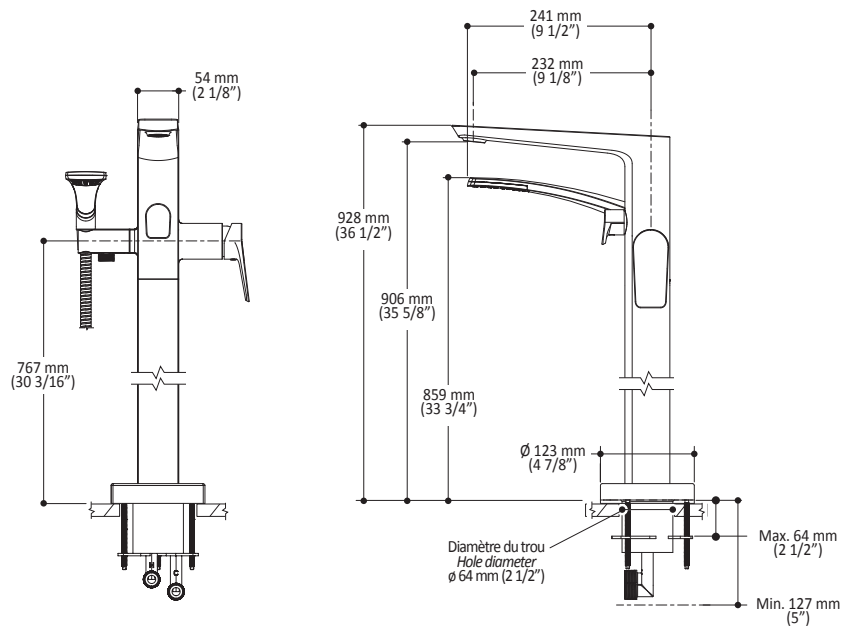
Installation Notes

This product must be installed following the installation instructions provided.

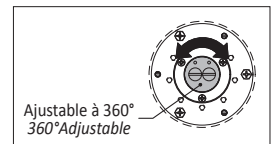
WARRANTY

Kalia Inc. guarantees all aspects of its products to be free of defects in material and workmanship for normal residential use. Refer to the warranty included with the Kalia products for details.

Product dimensions:



105162 included



Ajustable à 360° / 360° Adjustable

Important: Dimensions are approximated and are subject to changes. Please refer to the installation instructions.



ONCE UPON A TIME...WATER®

1355, 2^e Rue du Parc industriel
Sainte-Marie (Québec)
Canada G6E 1G9

T 418-387-9090
1-877-GO-KALIA (1-877-465-2542)
F 418 387-9089

kaliastyle.com