

Features

- Rectangular shower base for corner installation
- **Anti-leak design with threshold designed to eliminate water infiltrations**
- Fiberglass reinforced acrylic
- Sturdy construction with steel reinforcement for strength and stability
- Support bars installed under the base for greater stability and ease of adjustment
- 1524 mm x 914 mm (60" x 36")
- Ultra-thin 67 mm (2" 5/8) threshold
- Central drain
- Integrated tiling flanges on 2 walls (right)

Color (Finish)

- White: BW1283-240

Certifications

The specified model meets or exceeds the following standards;



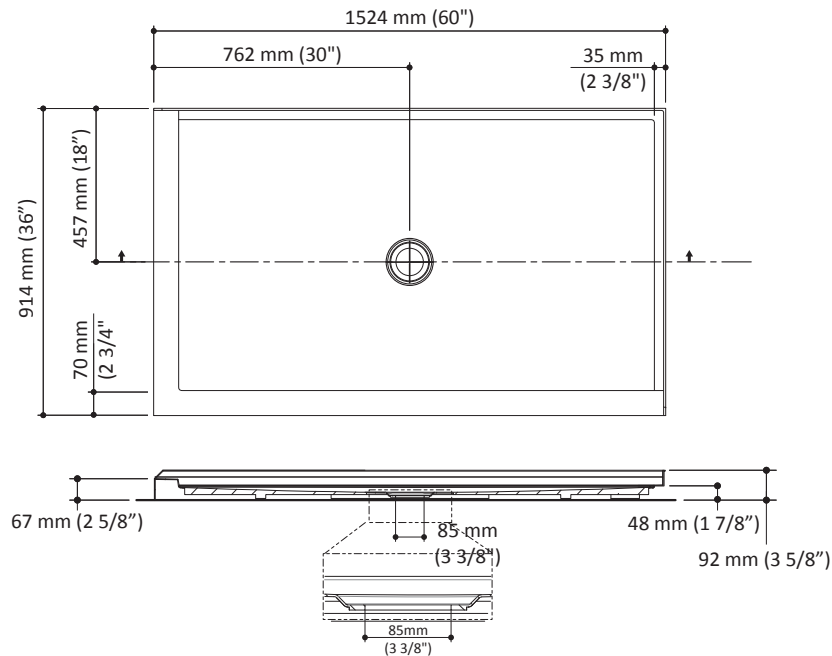
Installation Notes

This product must be installed following the installation instructions provided.

WARRANTY

Kalia Inc. guarantees all aspects of its products to be free of defects in material and workmanship for normal residential use. **Refer to the warranty included with the Kalia products for details.**

Product dimensions:



Important: Dimensions are approximated and are subject to changes. Please refer to the installation instructions.