



Components included

- BF1760-XXX* : 2-jet handshower, wallbar and 60" flexible metal hose assembly
- 102847-XXX* : Round wall outlet
- 104845-NPT : 1/2" pressure balance valve with 2-way diverter and test cap - without cartridge
- 104849-XXX* : Round decorative trim for 1/2" pressure balance valve with volume control and 2-way diverter – cartridge included
- 105008-XXX* : 395mm (15 9/16") 90° wall arm with round flange
- 105546-XXX* : 200mm (7 7/8") round rainhead

**XXX means that the finish color must be specified.*

Colors (Finishes)

- Chrome: BF1769-110
- Matte Black: BF1769-160

Certifications

The specified model meets or exceeds the following standards;



See the following sheets for the technical features of each component.

Installation Notes

This product must be installed following the installation instructions provided.

WARRANTY

Kalia Inc. guarantees all aspects of its products to be free of defects in material and workmanship for normal residential use. **Refer to the warranty included with the Kalia products for details.**

Features

2-jet handshower (105010-XXX) :

- Diameter of 100 mm (4")
- Soft tips for easy cleaning of limescale
- Male water inlet G1/2
- 2 direct functions and 1 shared function

Wallbar (105011-XXX) :

- Total height of 700 mm (27 9/16")
- Easy to use sliding system
- Adjustable top bracket for easy installation
- Locking system

60" flexible metal hose (105007-XXX) :

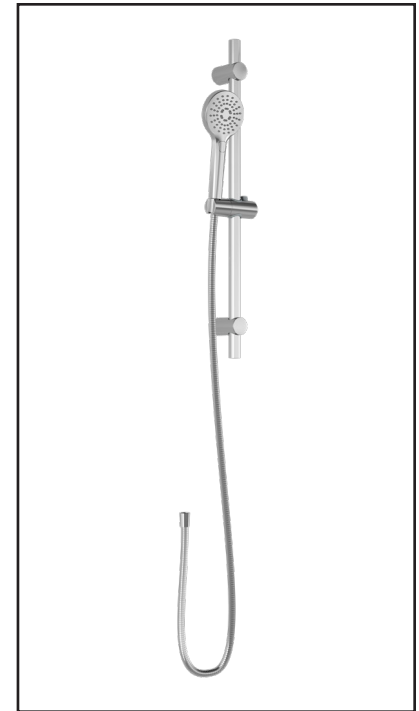
- 1/2 female connection
- Integrated check valve

Colors (Finishes)

- Chrome: BF1760-110
- Matte black: BF1760-160

Maximum flow rate

- 9.5 L/min (2.5 gpm)
at 60 psi



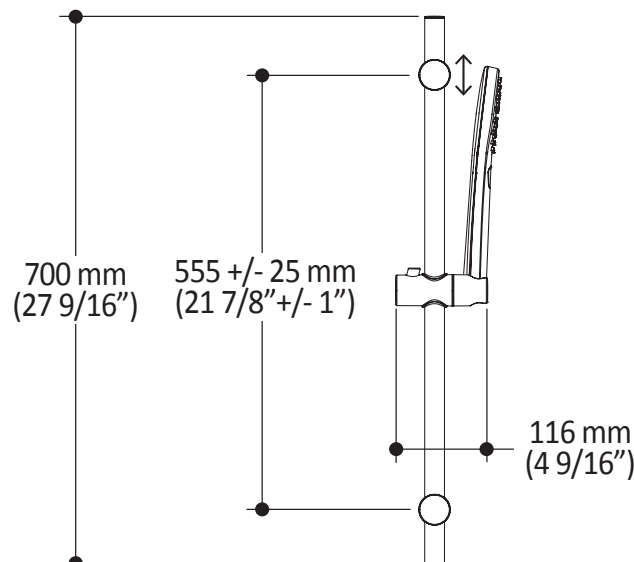
Installation Notes

This product must be installed following the installation instructions provided.

WARRANTY

Kalia Inc. guarantees all aspects of its products to be free of defects in material and workmanship for normal residential use. **Refer to the warranty included with the Kalia products for details.**

Product dimensions:



Important : Dimensions are approximated and are subject to changes. Please refer to the installation instructions.



ONCE UPON A TIME...WATER®

102847 Wall Outlet

SPECIFICATIONS

Features

- Male or female water inlet 1/2NPT
- Male water outlet G1/2
- Solid brass construction
- PVD finish (Physical Vapour Deposit): A high technology process that protects the surface finish for increased durability

Colors (Finishes)

- Chrome: 102847-110
- Brushed Nickel PVD: 102847-120
- Matte Black: 102847-160

Certifications

The specified model meets or exceeds the following standards;



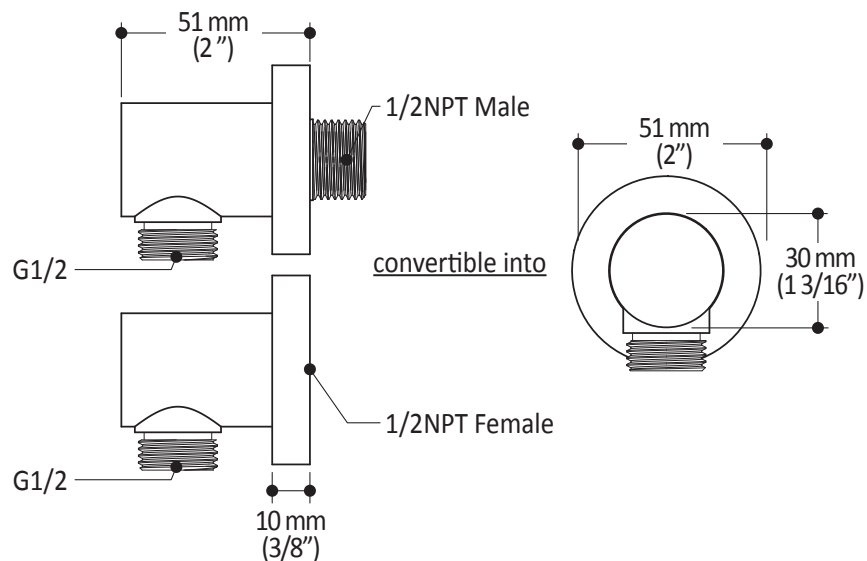
Installation Notes

This product must be installed following the installation instructions provided.

WARRANTY

Kalia Inc. guarantees all aspects of its products to be free of defects in material and workmanship for normal residential use. **Refer to the warranty included with the Kalia products for details.**

Product dimensions:



Important: Dimensions are approximated and are subject to changes. Please refer to the installation instructions.



ONCE UPON A TIME...WATER®

1355, 2nd Street, Industrial Park
Sainte-Marie (Québec)
Canada G6E 1G9

T 418-387-9090
1-877-GO-KALIA (1-87- 465-2542)
F 418 387-9089

KaliaStyle.com



Features

- Male water inlet 1/2NPT
- Male water outlet G1/2

Color (Finish)

- Chrome: 105008-110
- Matte black: 105008-160



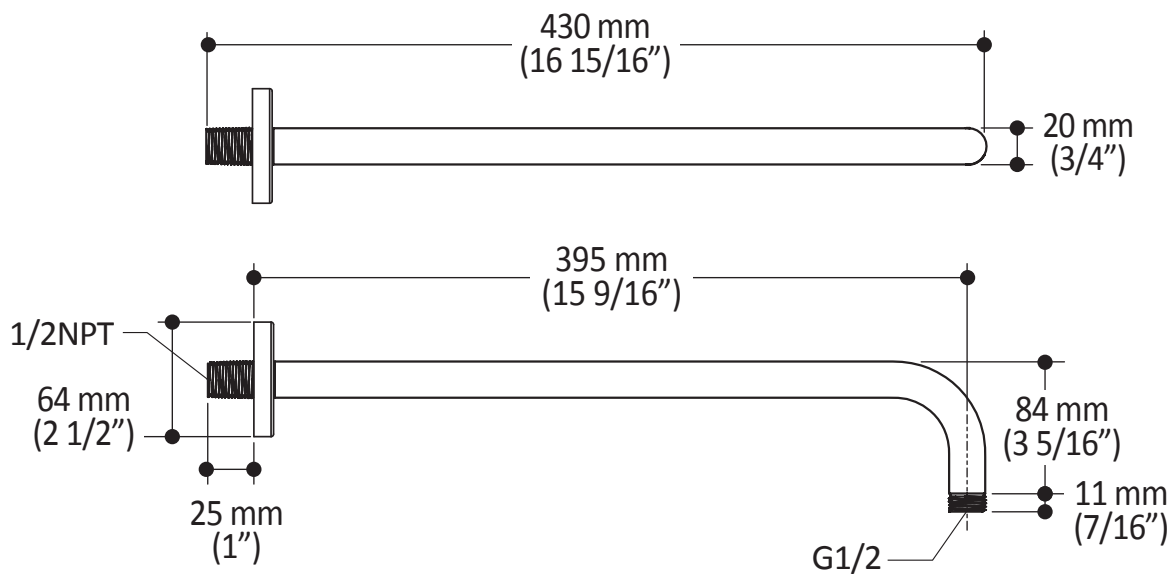
Installation Notes

This product must be installed following the installation instructions provided.

WARRANTY

Kalia Inc. guarantees all aspects of its products to be free of defects in material and workmanship for normal residential use. **Refer to the warranty included with the Kalia products for details.**

Product dimensions:



Important: Dimensions are approximated and are subject to changes. Please refer to the installation instructions.

Features

- Male water inlet 1/2NPT
- Diameter: 200 mm (7 7/8")
- Soft tips for easy cleaning of limescale
- Adjustable orientation swivel

Colors (Finishes)

- Chrome: 105546-110
- Matte black: 105546-160

Maximum flow rate

- 9.5 L/min (2.5 gpm) at 60 psi



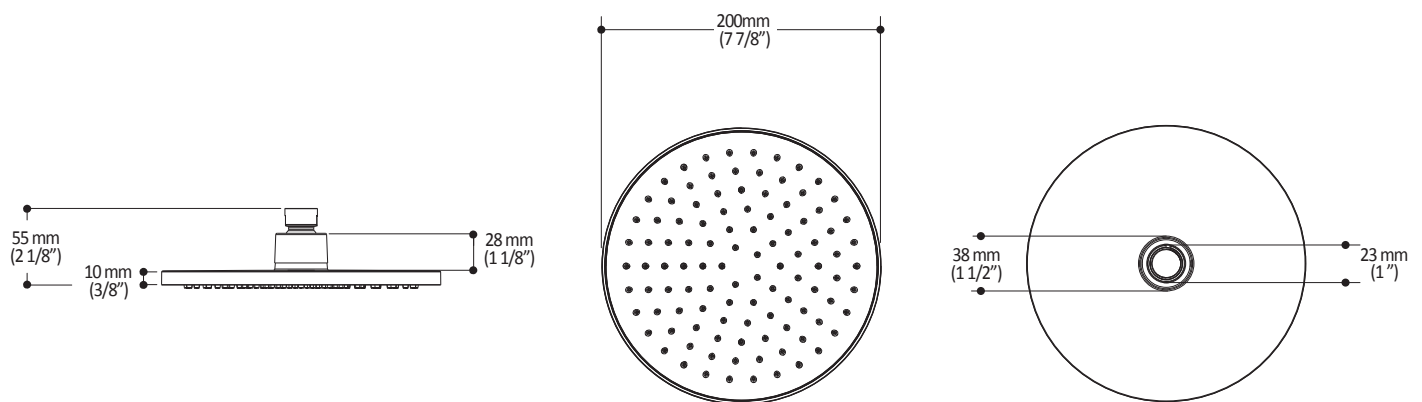
Installation Notes

This product must be installed following the installation instructions provided.

WARRANTY

Kalia Inc. guarantees all aspects of its products to be free of defects in material and workmanship for normal residential use. **Refer to the warranty included with the Kalia products for details.**

Product dimensions:



Important : Dimensions are approximated and are subject to changes. Please refer to the installation instructions.

Features

- Solid brass construction
- Total adjustment of 25 mm (1")
- Pressure balance with volume control ceramic cartridge
- 2-way gradual diverter

Colors (Finishes)

- Chrome: 104849-110
- Matte black: 104849-160

Maximum flow rate

- 20.5 L/min (5.4 gpm) at 60 psi



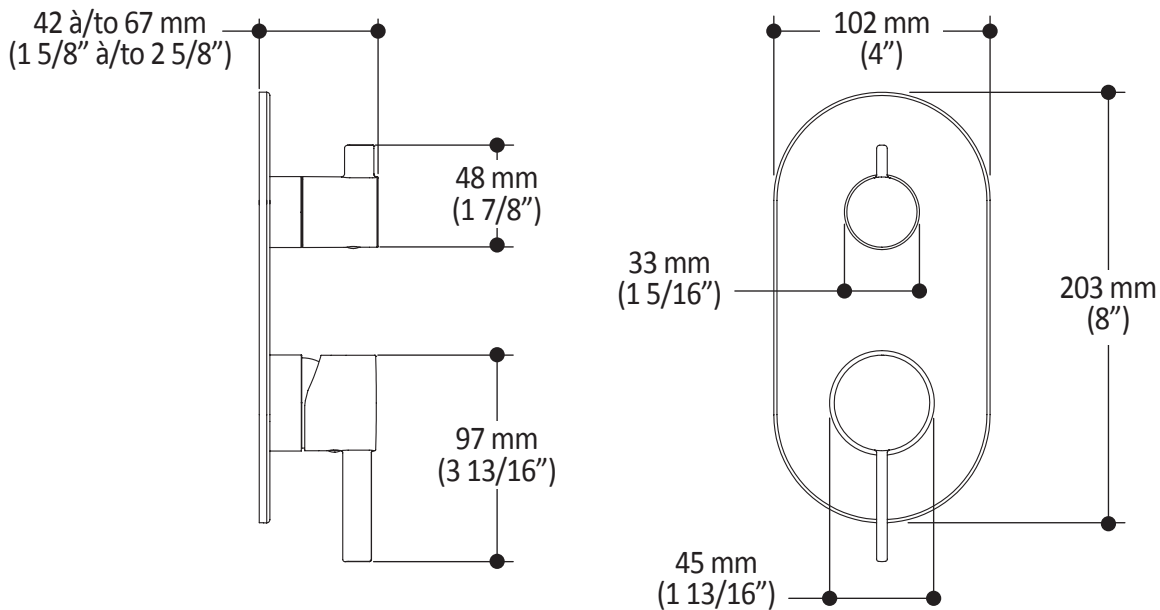
Installation Notes

This product must be installed following the installation instructions provided.

WARRANTY

Kalia Inc. guarantees all aspects of its products to be free of defects in material and workmanship for normal residential use. **Refer to the warranty included with the Kalia products for details.**

Product dimensions:



Important: Dimensions are approximated and are subject to changes. Please refer to the installation instructions.

Features

- Solid brass construction
- Two male water inlets 1/2 NPT threaded or welded
- Two male water outlets 1/2 NPT threaded or welded
- Total adjustment of 25 mm (1”)
- Integrated service stops with check valve
- 2-way gradual diverter
- Support for better stability during installation included
- Equipped with a test-cap

Certifications

The specified model meets or exceeds the following standards:



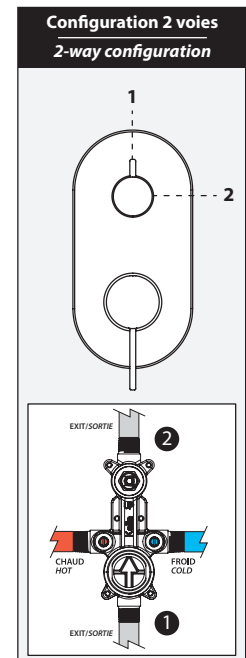
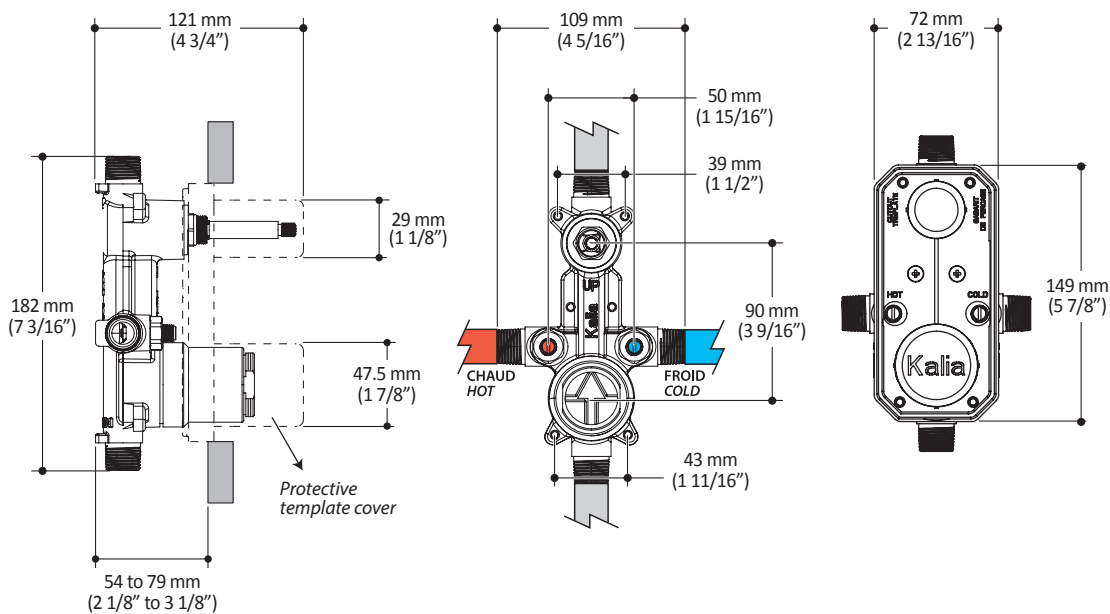
Installation Notes

This product must be installed following the installation instructions provided.

WARRANTY

Kalia Inc. guarantees all aspects of its products to be free of defects in material and workmanship for normal residential use. **Refer to the warranty included with the Kalia products for details.**

Product dimensions:



Important: Dimensions are approximated and are subject to changes. Please refer to the installation instructions.