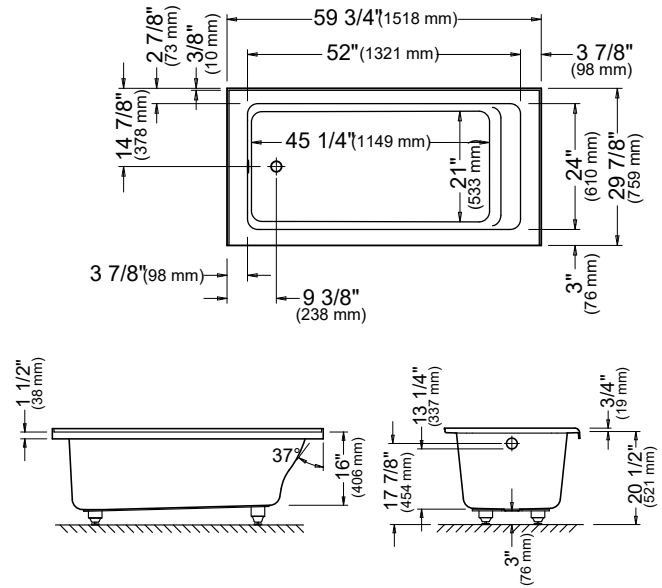


PIA 3060 AFR

WITH INTEGRATED TILING FLANGE



59 3/4" x 29 7/8" x 20 1/2" [56 gallons]



GENERAL SPECIFICATIONS

- Acrylic thermoformed and reinforced with fiberglass
- Gloss finish resistant to stains and discoloration
- Immersion 13 1/4" - Adjustable legs
- Weight: 48 pounds

GENERAL OPTIONS

Acrylic colors: white
 biscuit* or bone* (allow 3 weeks for delivery)
 Available in left or right version (integrated tiling flange)

White mood light: white, biscuit, bone or chrome finish

Handle: white, biscuit, bone or chrome finish 95.7077.106.XX
 (max. 2) (submit drawing with order)

Drain D105 (20"): chrome finish 62.4020.102.60

Black neck pillow (12" x 4") 18.6000.100.20

WHIRLPOOL OPTIONS

Finish for Whirlpool jets: white, biscuit or bone
 Other: chrome

Inline heater 110 V

ACTIV-AIR OPTIONS

Finish for Activ-Air jets: white, biscuit or bone
 Other: chrome

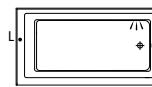
Blower hose extension 36" 95.5013.116.00

Blower hose extension 72" 95.5013.167.00

Blower hose extension 96" 95.5013.168.00

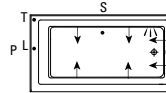
Blower extensions are necessary when the blower is located more than 4' from the pneumatic control.

DIMENSIONS ARE NOMINAL AND MAY VARY BY ± 1/4" (6MM).
 WEIGHT MAY VARY BY ± 5 LBS (2,3KG).
 DRAWING IS NOT SCALE. THESE DIMENSIONS MAY BE CHANGED AT THE MANUFACTURER'S DISCRETION.
 CONSULT THE INSTALLATION GUIDE FOR MORE INFORMATION.



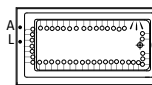
Bathtub only left drain
 Bathtub only right drain

E10.20710.4500
 E10.20710.4000



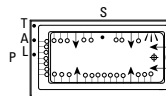
Whirlpool left drain
 Whirlpool right drain
 Included: 6 round jets, two air controls,
 one 7.5 A (120 V) pump and one pneumatic control.

E15.20710.450030
 E15.20710.400030



Activ-Air left drain
 Activ-Air right drain
 Included: 29 Activ-Air micro-jets, one blower
 9.5 A (120 V) with heating element (200 W)
 and one pneumatic control.

E15.20710.450010
 E15.20710.400010



Whirlpool/Activ-Air combo
 left drain
 Whirlpool/Activ-Air combo
 right drain
 Included: 6 round jets, 28 Activ-Air micro-jets,
 two air controls, one 7.5 A (120 V) pump, one blower
 9.5 A (120 V) with heating element (200 W)
 and two pneumatic controls.

E15.20710.450031

E15.20710.400031

- : Whirlpool jets
- : Activ-Air jets
- S : Suction
- T : Whirlpool control
- A : Activ-Air control
- P : Pump
- L : Light control
- ≡ : Mood light (option)

Note: The blower is never installed.



COMPLIANCE ATTESTATION
 Standard bathtubs
 CAN / CSA.B45.5
 Hydromassage Standards
 CAN / CSA.B45.10 / CSA.C22.2 / UL-1795



Certification ECORESPONSIBLE
 First manufacturer of bathroom products in
 North America to be certified ecoresponsible.



Produits Neptune

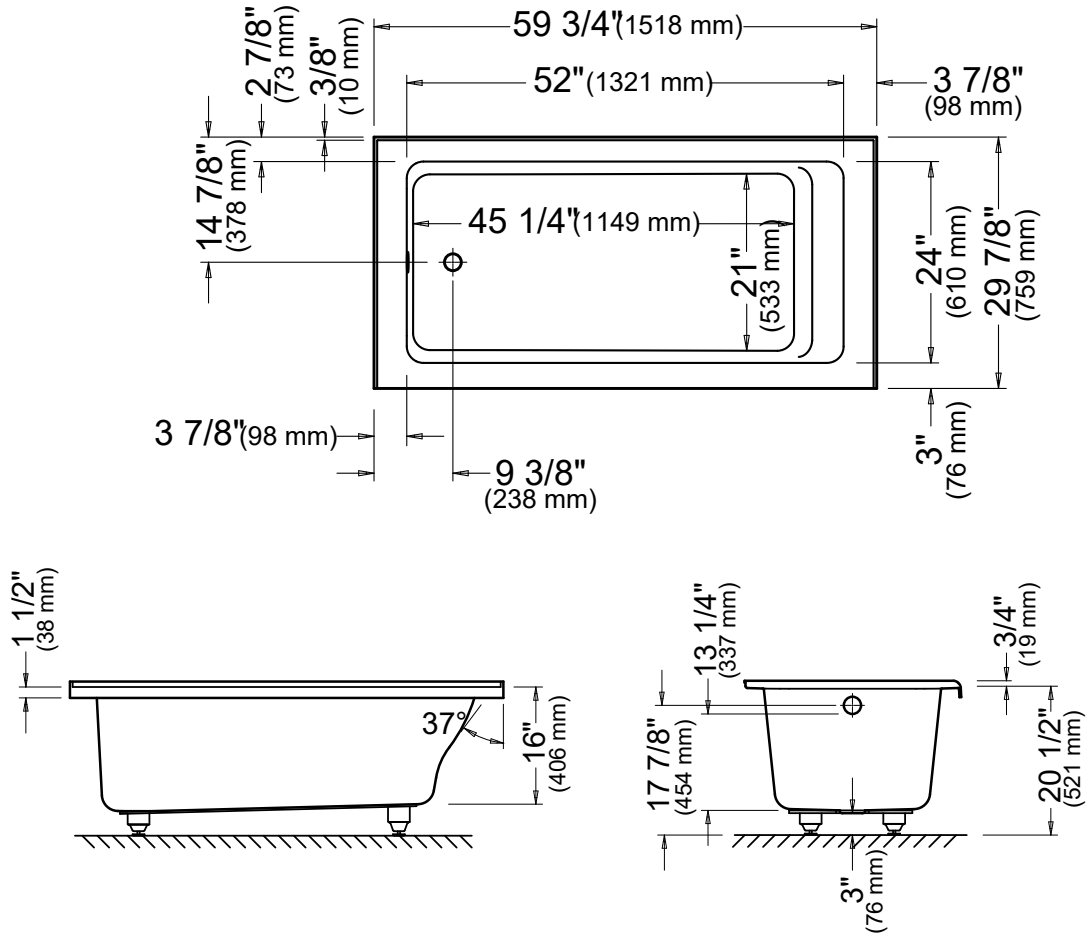
ENTREPRENEUR

6835, Picard street, Saint-Hyacinthe (Quebec) J2S 1H3
 Phone: (450) 773-7058 - Fax: (450) 773-5063
 produitsneptune.com



Produits Neptune

PIA 3060 AFR WITH INTEGRATED TILING FLANGE



*All dimensions are approximate and subject to change without notice.
Please refer to the installation guide before beginning the installation.