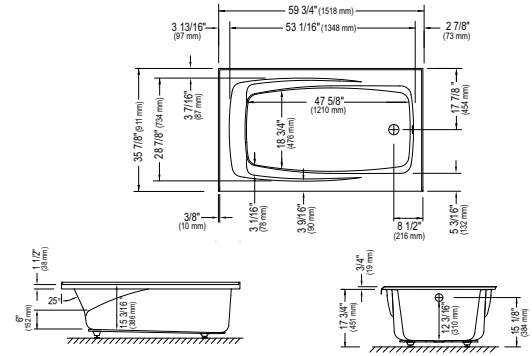


VELONA 3660

WITH INTEGRATED TILING FLANGE



59 3/4" x 35 7/8" x 17 3/4" [57 gallons]



VELONA SKIRT 60"



GENERAL SPECIFICATIONS

- Acrylic thermoformed and reinforced with fiberglass
- Gloss finish resistant to stains and discoloration
- Immersion 12 3/16" - Adjustable legs
- Weight: 54 pounds - Textured bottom

GENERAL OPTIONS

Acrylic colors: white biscuit* or bone* (allow 3 weeks for delivery)	
Available in left or right version (integrated tiling flange)	
60" Velona skirt (not factory-installed)	E12.16860.0000
White mood light: white, biscuit, bone or chrome finish	
Handle: white, biscuit, bone or chrome finish (max. 2) (submit drawing with order)	95.7077.106.XX
Drain D105 (20"): chrome finish	62.4020.102.60
Black neck pillow (12" x 4")	18.6000.100.20

WHIRLPOOL OPTIONS

Finish for Whirlpool jets: white, biscuit or bone
Other: chrome

Inline heater 110 V

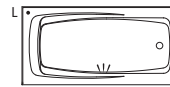
ACTIV-AIR OPTIONS

Finish for Activ-Air jets: white, biscuit or bone
Other: chrome

Blower hose extension 36"	95.5013.116.00
Blower hose extension 72"	95.5013.167.00
Blower hose extension 96"	95.5013.168.00

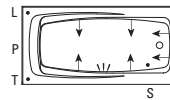
Blower extensions are necessary when the blower is located more than 4' from the pneumatic control.

DIMENSIONS ARE NOMINAL AND MAY VARY BY ± 1/4" (6MM).
 WEIGHT MAY VARY BY ± 5 LBS (2,3KG).
 DRAWING IS NOT SCALE. THESE DIMENSIONS MAY BE CHANGED AT THE MANUFACTURER'S DISCRETION.
 CONSULT THE INSTALLATION GUIDE FOR MORE INFORMATION.



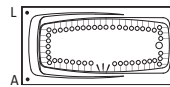
Bathtub only left drain
Bathtub only right drain

E10.16816.4500
E10.16816.4000



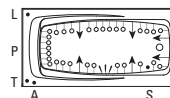
Whirlpool left drain
Whirlpool right drain
Included: 6 round jets, two air controls, one 7.5 A pump and one pneumatic control.

E15.16816.450030
E15.16816.400030



Activ-Air left drain
Activ-Air right drain
Included: 35 Activ-Air micro-jets, one blower with heating element (200 W) and one pneumatic control.

E15.16816.450010
E15.16816.400010



Whirlpool/Activ-Air combo left drain
Whirlpool/Activ-Air combo right drain
Included: 6 round jets, 34 Activ-Air micro-jets, two air controls, one 7.5 A pump, one blower with heating element (200 W) and two pneumatic controls.

E15.16816.450031
E15.16816.400031

- ➔ : Whirlpool jets
- : Activ-Air jets
- S : Suction
- T : Whirlpool control
- A : Activ-Air control
- P : Pump
- L : Light control
- ≡ : Mood light (option)

Note: The blower is never installed.



Certification ECORESPONSIBLE
 First manufacturer of bathroom products in North America to be certified ecoresponsible.



Produits Neptune

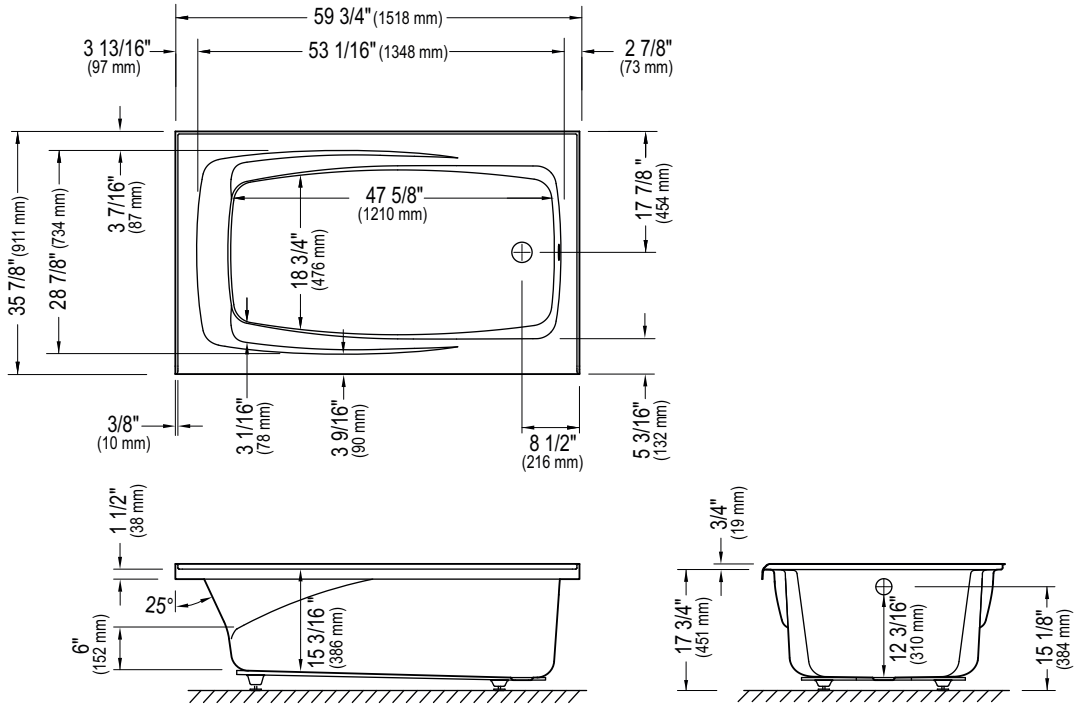
ENTREPRENEUR

6635, Picard street, Saint-Hyacinthe (Quebec) J2S 1H3
 Phone: (450) 773-7058 - Fax: (450) 773-5063
 produitsneptune.com



Produits Neptune

VELONA 3660
WITH INTEGRATED TILING FLANGE
Acrylic bathtub



*All dimensions are approximate and subject to change without notice.
Please refer to the installation guide before beginning the installation.