

TR02Q-CP

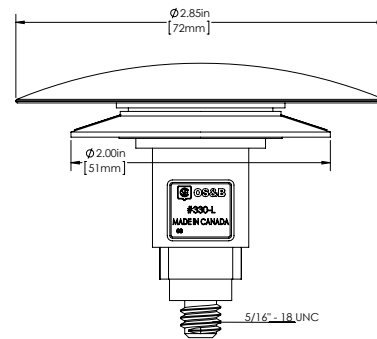
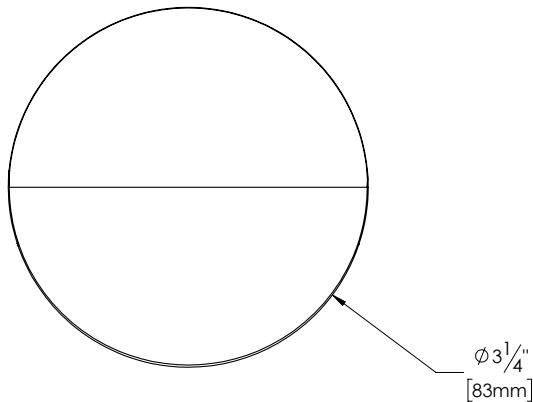
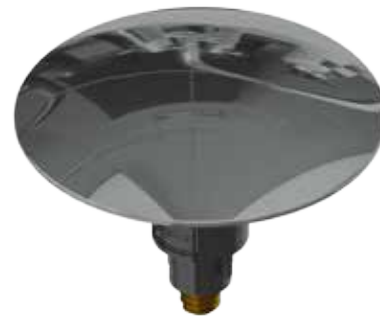
Clicker® Waste/Overflow Trim Kit - CP

Description:

CP Clicker® Trim Kit for 5151TDRILZ Waste/Overflow Rough-in Kit

Features:

- Chrome Plated Slide-on Faceplate.
- Chrome Plated Coarse Thread (5/16") Clicker® Closure.



Oakville Stamping and Bending Ltd.

2200 Speers Road, Oakville, ON, Canada. L6L 2X8.

T. 905.827.0320 or toll free 1.877.314.6040 F. 905.827.6375 or toll free 1.877.827.6040.

All rights reserved. OS&B™ reserves the right to change product specifications and material or discontinue models without notice.

www.osb.ca (Canada) www.osbplumbing.com (USA)