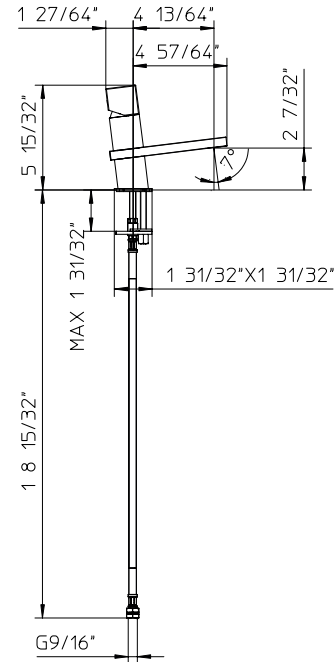




# PALAZZANI track



code **093011-10**

## Features

- Single lever handle volume and temperature control.
- Temperature memory allows faucet to be turned on and off at any temperature setting.
- Without pop-up drain with  $1 \frac{1}{4}''$  tailpiece.
- Ceramic disc valves longevity standards for a lifetime of durable performance.
- Valve body brass.

## Material

- Solid brass.
- Finishes resist corrosion and tarnish.

## Certifications

- ASME A112.18.1/CSA B125.1-12
- California Energy Commission (CEC)
- ADA

## Available color finishes

- 10 chrome.

## Technical information

- All product dimensions are nominal.
- Handle clearance:  $1 \frac{31}{32}''$  (50mm).
- Faucet flow rate: 1.2 gpm.
- Pressure: 60 psi.

## Technical Box information

- Dimension box:  $14,72'' \times 8,26'' \times 3,34''$ .
- Weight box: 5,520 lb.

## Technical Pallet information

- Dimension pallet:  $39 \frac{3}{8}'' \times 47 \frac{1}{4}''$ .
- Weight pallet: 412,87 lb.
- 6 units for packaging case.
- 12 packaging case for pallet.

## Warranty

- Limited warranty.
- See website for detailed warranty information.

## Note

- Install this product according to the installation guide.
- Final measurements confirm with product.
- Palazzani reserves the right to make revisions without notice to product specifications.



**PALAZZANI USA**

phone (305) 651.4470 ■ service@palazzaniusa.com