

SPECIFICATIONS

DESCRIPTION

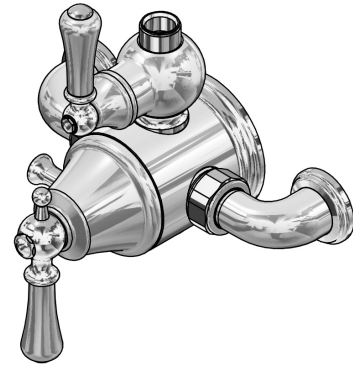
- 1/4 turn ceramic disc flow control
- Wax capsule thermostatic cartridge with 1 second supply failure response
- Adjustable temperature safety override stop
- Inlets fitted with non return valves and strainers
- Separate temperature and flow levers

STANDARDS

- Temp Range: Min 18°C / 52°F; Max 49°C / 118°F
- Recommended Working Pressure: Min 1bar / 15psi; Max 5bar / 75psi
- Temp Stability: ± 1°C / ±1.8°F
- Max Inlet Temp: 82°C / 180°C

WARRANTY

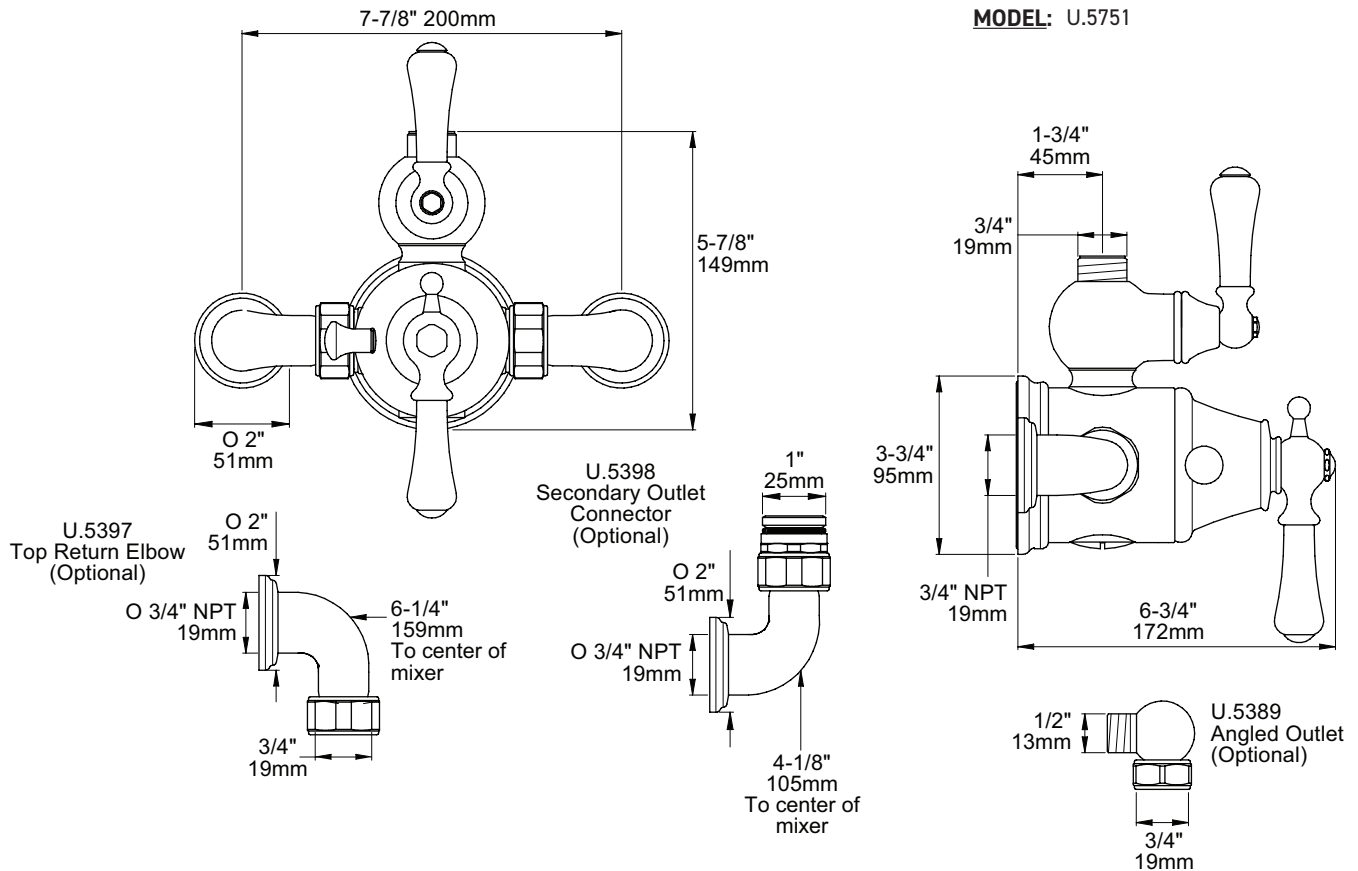
- Consult your local House of Rohl showroom for additional information and specifications. For complete warranty details and a list of showrooms, go to houseofrohl.com



Georgian

Exposed Thermo with Lever Handles

MODEL: U.5751



For warranty or additional information, contact:

US Customers

U.S.A.
houseofrohl.com/support
1-800-777-9762

QUEBEC / MARITIMES / WESTERN CANADA
houseofrohl.ca/support
1-866-473-8442

Canadian Customers

ONTARIO
houseofrohl.ca/support
1-800-287-5354