

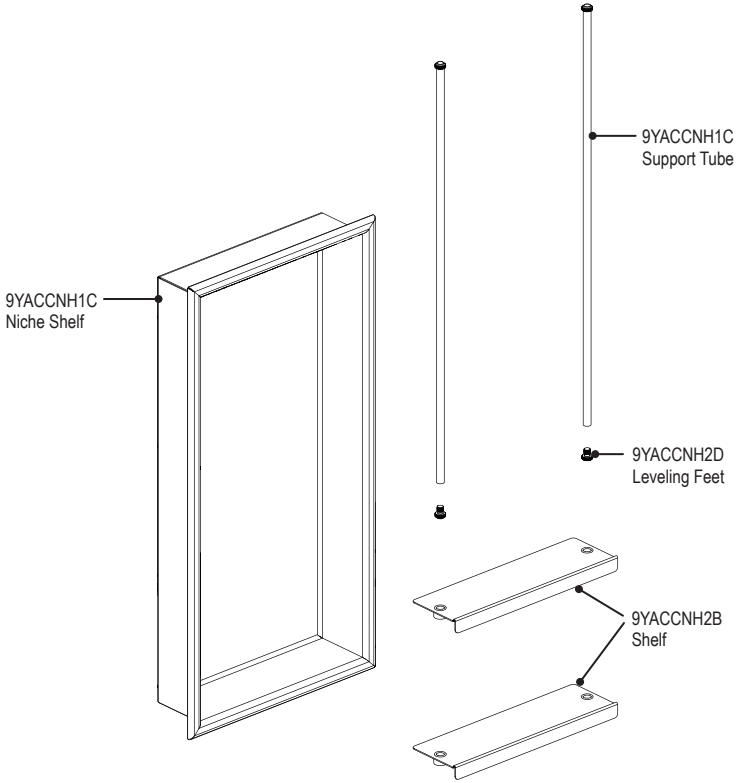
**ASSEMBLY INSTRUCTION**

**9TWN4**

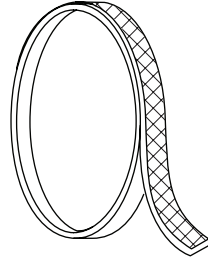
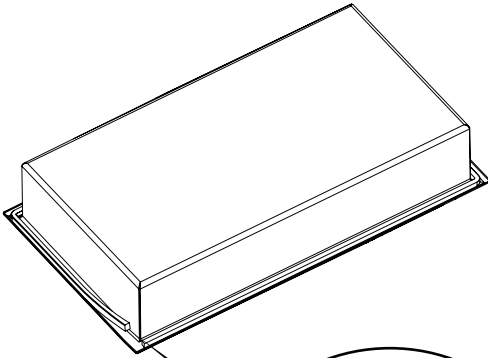
VERTICAL WALL NICHE WITH TWO ADJUSTABLE SHELVES



**9TWN4**  
**(12" x 24")**

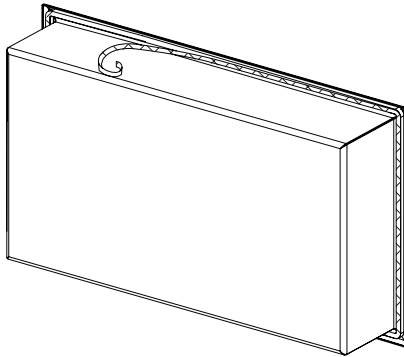
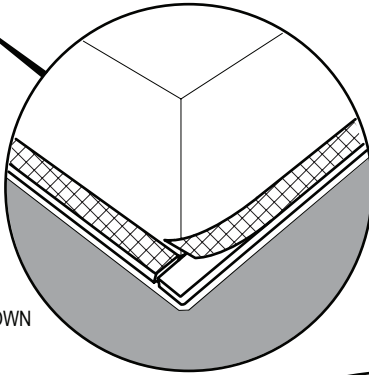


1



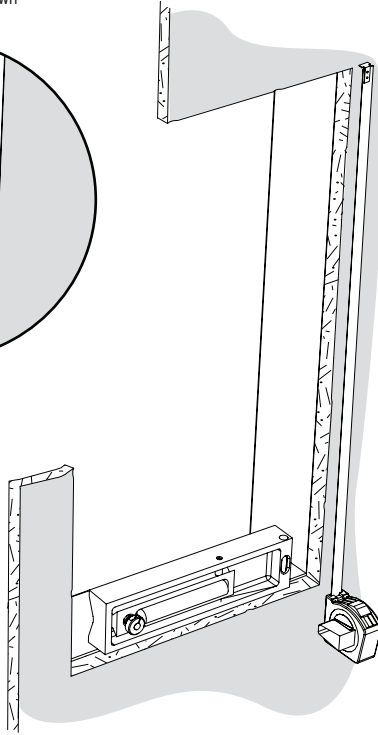
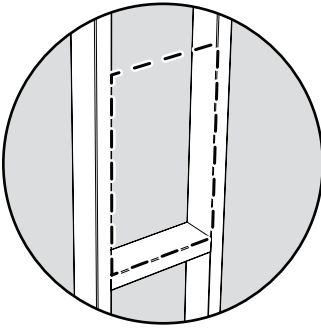
DOUBLE SIDED  
FOAM TAPE  
SUPPLIED

CUT THE TAPE  
INTO 4 PIECES  
AND APPLY TO  
THE BACK OF  
THE NICHE RIM  
GROOVE AS SHOWN



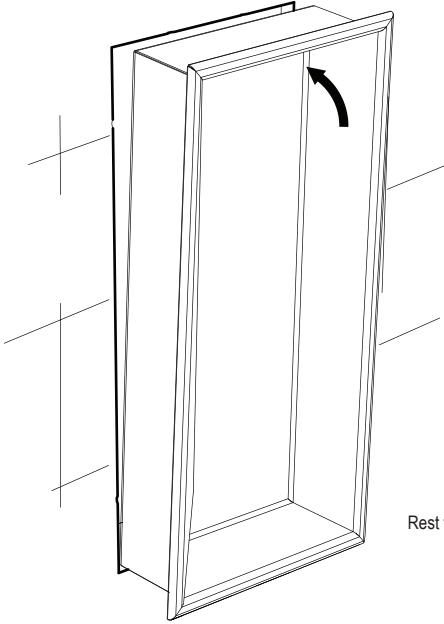
2

\* Boxing the hole with stud recommended for maximum support as shown

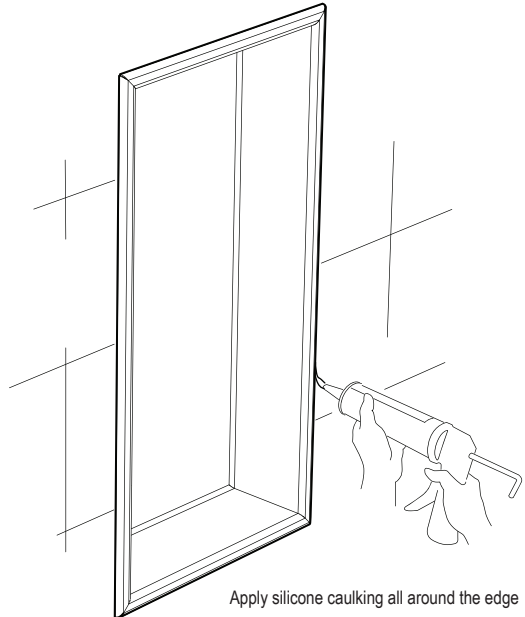


\* MUST refer to the specification when cutting the hole.

3

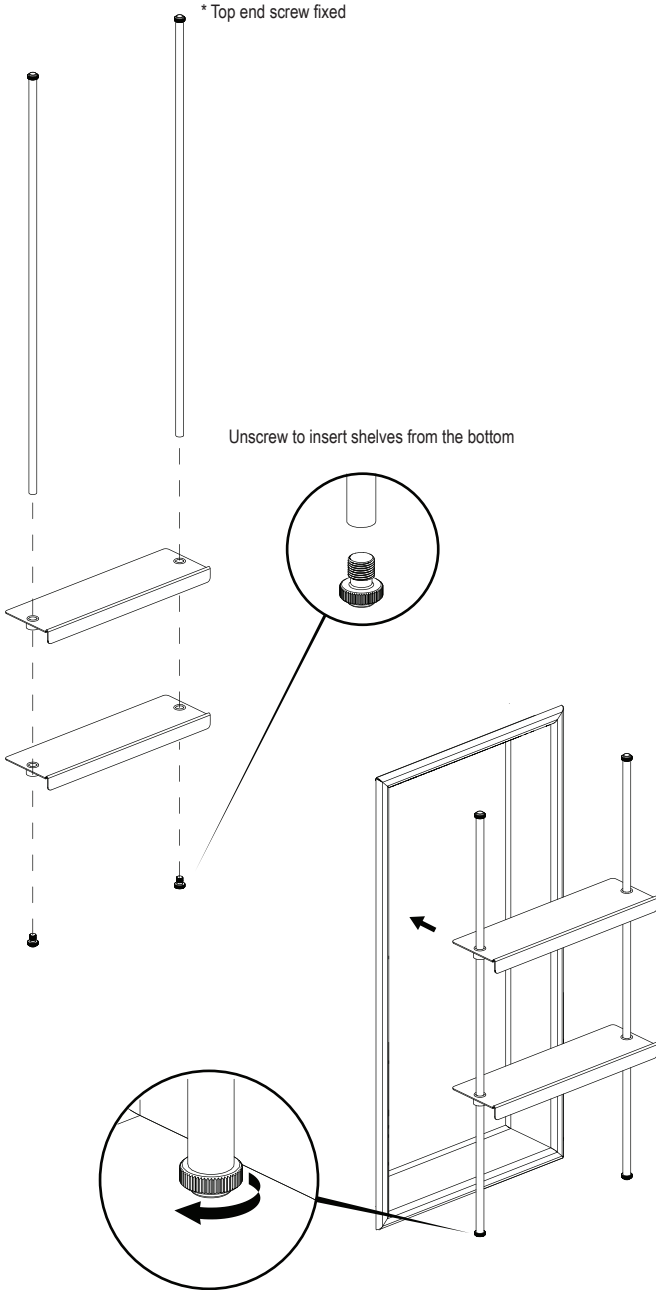


Rest the bottom first then push it in.

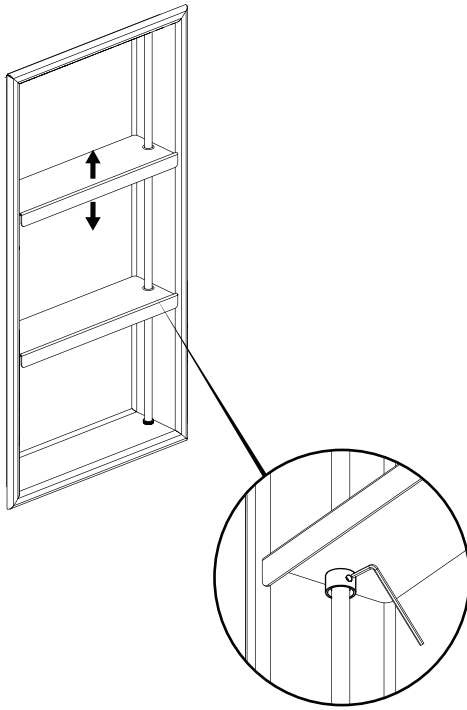


Apply silicone caulking all around the edge

4



5



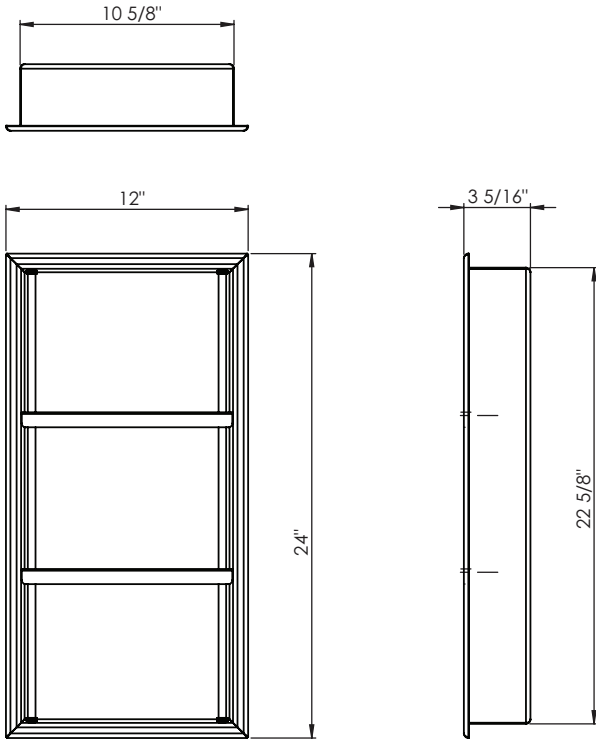
\* Tighten the Set Screws after adjusting the Shelves

---

**FEATURES:**

- Stainless Steel (304) Construction with Choice of Finishes

\*Note: Not Available in SC, ABM, ACM, TB, OB, BB



\* HOLE SIZE  $22 \frac{3}{4}$ " x  $10 \frac{3}{4}$ "

**CONTACT US:**

If you need assistance with installation, replacement parts or have any questions regarding your Rubinet product, please call a Customer Service representative at: 905-851-6781 toll free 1-800-461-5901 or visit [www.rubinet.com](http://www.rubinet.com)

---