

ASSEMBLY INSTRUCTION**4KHOL or R**

VOLUME CONTROL VALVE

**4KHOL****4KHOR****REMOVAL OF FIXTURE:**

Always turn the water supply off before removing the existing fixture or disassembling a valve. Open all handles to relieve water pressure and to ensure that the water has been successfully turned off.

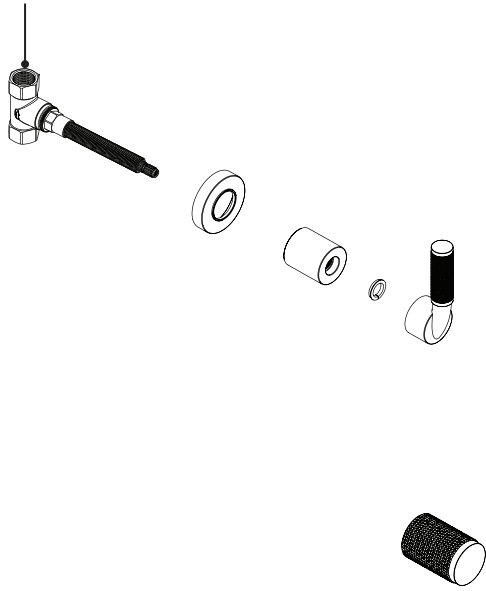
CARE OF FIXTURE:

The use of warm water and a soft cloth is all that is required to clean Rubinet products. The patina of our living finishes (Oil Rubbed Bronze & Tuscan Brass) will change as a result of normal use. Applying Mineral Oil on occasion will create a softer look, subtle color changes and character.

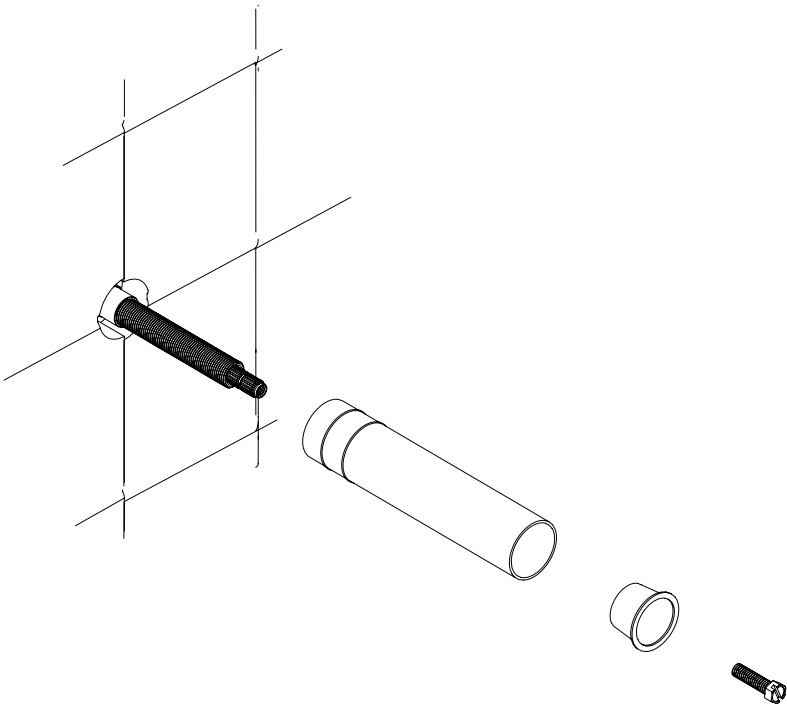
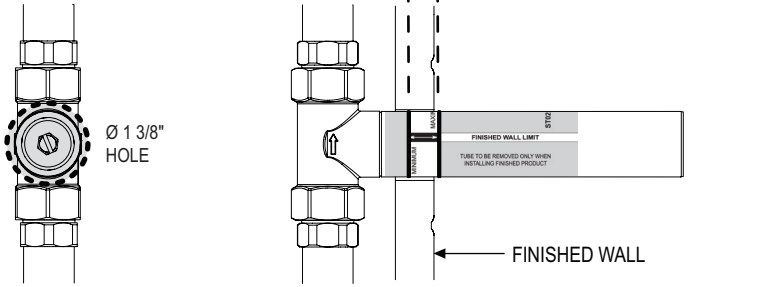
CONTACT US:

If you need assistance with installation, replacement parts or have any questions regarding your Rubinet product, please call a Customer Service representative at: 905-851-6781 toll free 1-800-461-5901 or visit www.rubinet.com

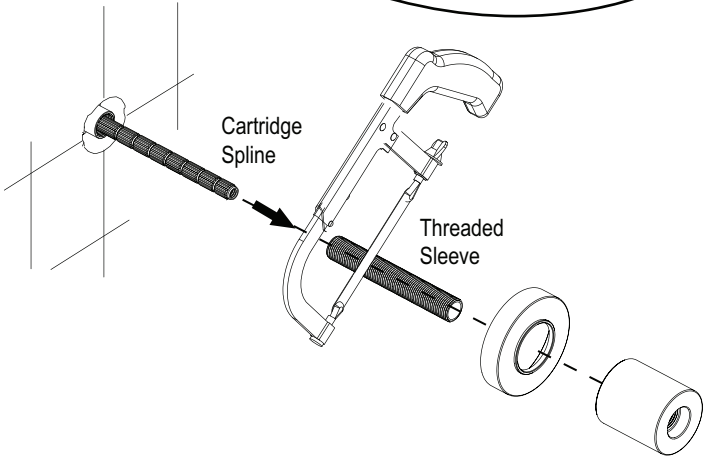
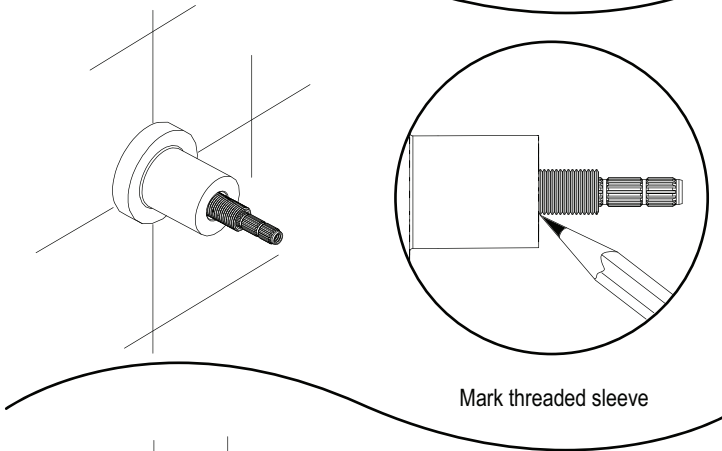
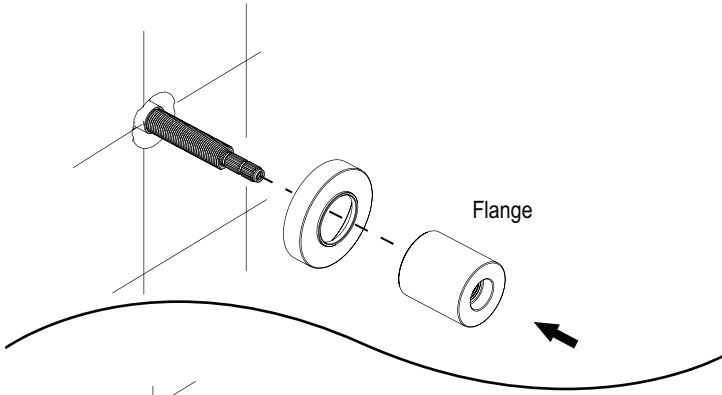
4KR300 (3/4")
4KR100 (1/2")
Rough-In Valve



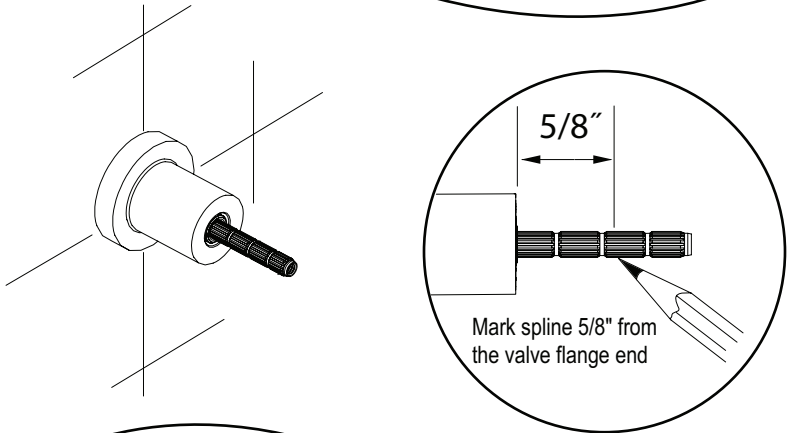
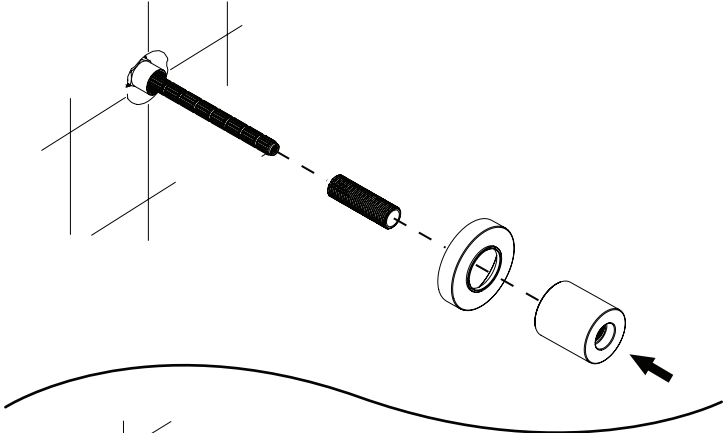
1



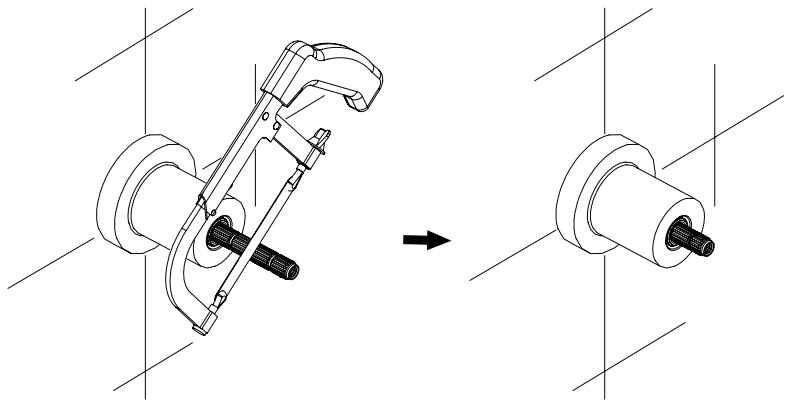
2



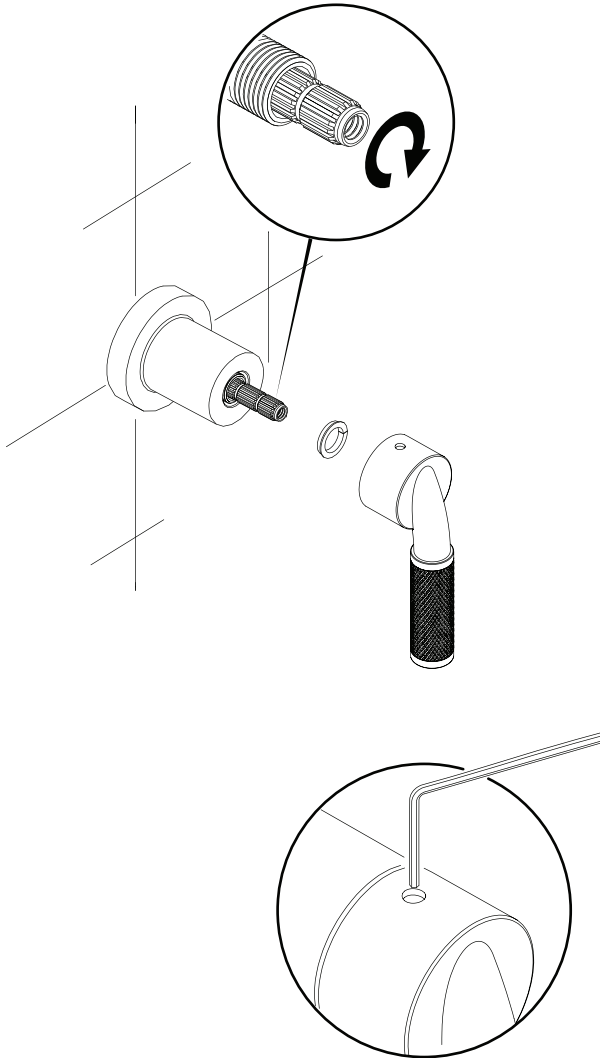
3



Cut spline where marked



Turn cartridge spline into OFF position
before installing handles



***Round Handle Installation**

