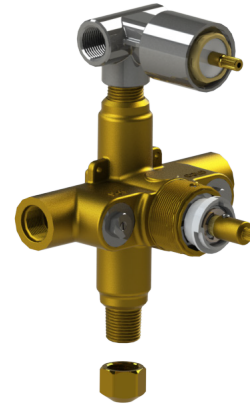


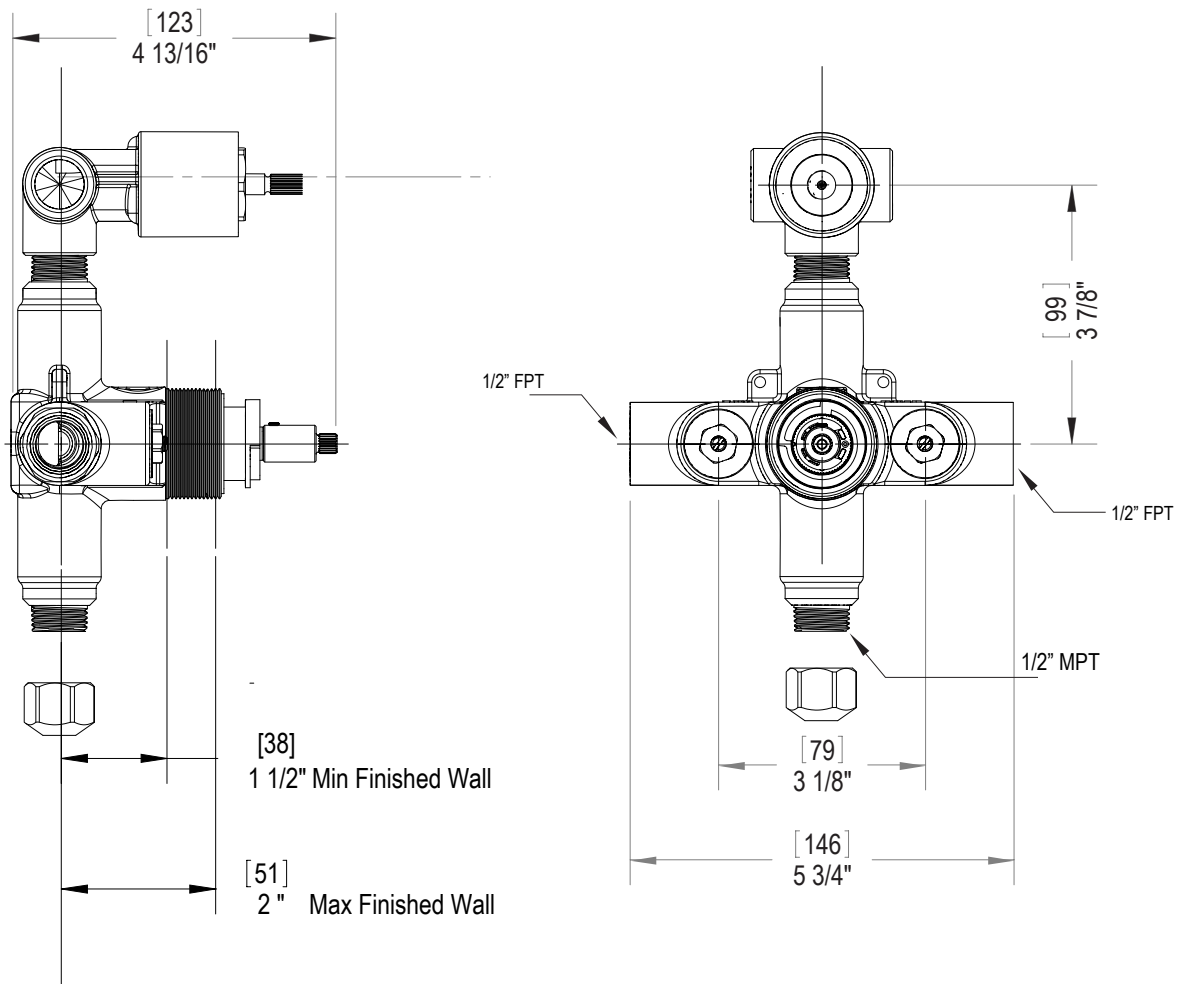
FEATURES:

- Brass Construction
- 2 Way Diverter Valve
- Mixer control
- Factory preset at 38°C (100.4°F)
- Temperature range from 15°C (59°F) to 60°C (140°F)
- Safety stop with override function
- Flow Rate 6.0 gpm @ 50 psi



Preliminary Rough-Ins

Temperature Control Valve with Built-In Service Stops and Two Way Diverter



Critical Dimensions

31/01/2014

TEL: 905-851-6781
 FAX: 905-851-8031
 TOLL FREE: 800-461-5901

THE **Rubinet** FAUCET COMPANY

www.rubinet.com