



countertop shown only for illustration purposes, not a WETSTYLE product

# Ove

## VOV 821U

inch 21 11/16 x 15 x 4 mm 551 x 381 x 102

■ interior dimensions

inch 18 3/4 x 12 1/4 x 3 3/8 mm 477 x 312 x 86

■ weight

lb - 18 kg - 8

■ installation

undercounter

■ accessory

nil

■ overflow

without overflow: VOV 821U  
 built-in overflow: VOV 821U-O  
 polished chrome or brushed nickel

■ faucet hole

no hole for faucet

■ material

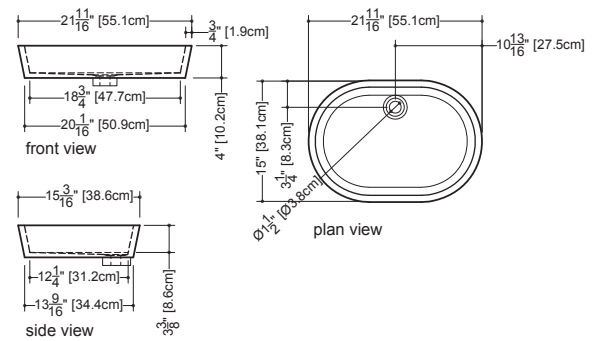
WETMAR™, True High Gloss™  
 or matte finish

■ color

white

■ codes/standards applicable

IAPMO-ANSI Z124.1  
 IAPMO-ANSI Z124.3  
 CSA B 45.0 - CSA B45.4



WETSTYLE cannot be held responsible for any technical errors and reserves the right to make revisions without notice.

Approximate measurement.  
 The manufacturer accept 1/4" (6.35mm) variance.

www.WETSTYLE.CA - Montreal - Canada  
 Tel. 450.536.9000 - 1 888.536.9001 - Fax. 450.536.0202

