



Sinks

VLBQS 816

LAB COLLECTION

Design Pierre Bélanger and WETSTYLE Design Lab



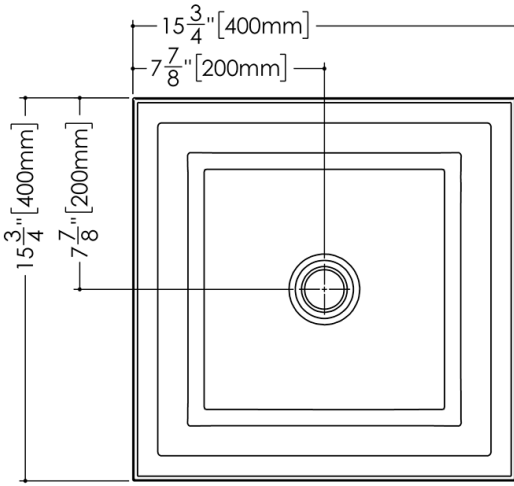
FEATURES

Handcrafted in Montreal, Canada

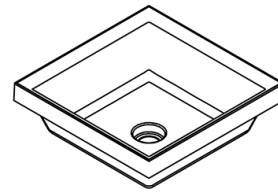
Option: Pop-up drain

TECHNICAL DETAILS

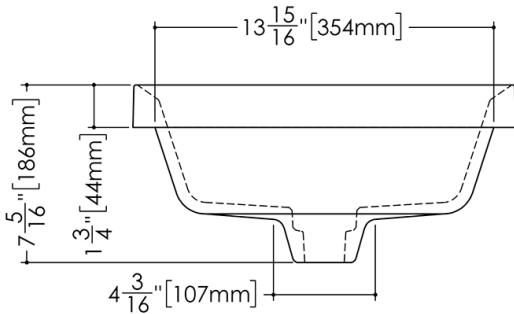
- **Width:** 15.75"
- **Length:** 15.75"
- **Height:** 1.5"
- **Weight:** 14 lbs / 6 kg



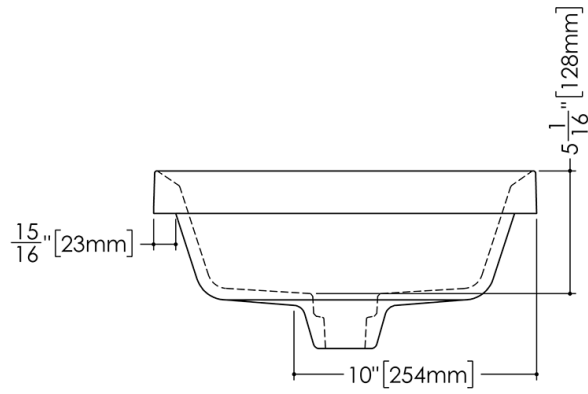
Top View



Perspective View
Esc: 1:12



Front View



Side View

VLBQS 816

WETSTYLE cannot be held responsible for any technical errors and reserves the right to make revisions without notice. Approximate measurement. The manufacturer accepts $\frac{1}{4}$ " (6.35mm) variance.

OPTIONS

Model

- VLBQS816

Overflow

- No Overflow

WETMAR BiO Finish

- White Matte (#MA)
- White True High Gloss (#GA)

NOTES

IMPORTANT: This sink has a recessed drain hole. For a perfect fit, we strongly recommend using the following drain model: DS02RF